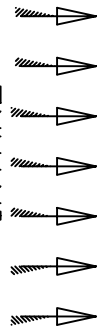


COOLING AIR
INTAKE



EXHAUST PIPE DIAMETER
HAS TO BE INCREASED 10 MM
FOR EACH 10 M OF PIPE

EXHAUST OUTLET

RECOMMENDED AIR FLOW
FOR COMBUSTION AND COOLING
4000 M3/H

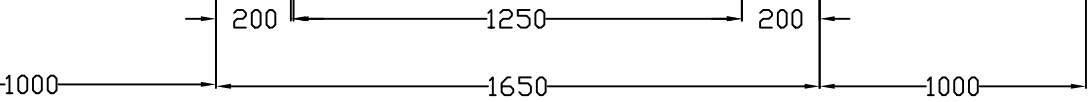
ENGINE F2L-1011F
167 KG

Ø45

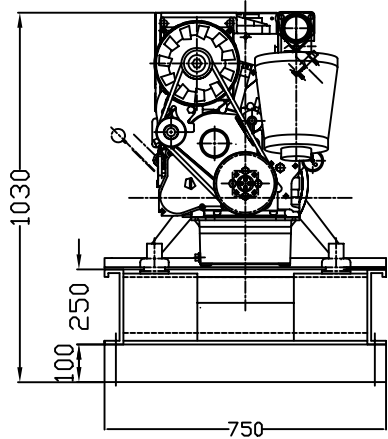
MECC ALTE ECO3 2L
87 KG.

FUEL TANK 100 LIT.

DIAMETER IN ACCORDANCE WITH FAN




WEIGHTS
ENGINE 167 KG
ALTERN. 87 KG
TOTAL WEIGHT APPROX.:
370 KG



FUEL CONSUMPTION:
100% LOAD: 3.0 (L/H)
75% LOAD: 2.3 (L/H)
50% LOAD: 1.8 (L/H)

AIR FLOWS:
COMBUSTION: 55 M3/H
COOLING AIR: 820 M3/H
EXHAUST GASES: 157 M3/H

NOTE: GENERATING SET MUST BE LOCATED
WITH, AT LEAST, ONE METER FREE
SPACE AROUND FOR MAINTENANCE WORK
SURFACE OF COOLING AIR INTAKE
LOUVERS MUST BE, AT LEAST, TWICE
SURFACE OF COOLING AIR EXHAUST LOUVERS

2001	DATE	NAME		
Drawn	30 OCT	M. SANCHEZ		
Checked				
Examined				
SCALE	INSTALLATION DIMENSIONS STANDARD GENSET GBA 13 DEUTZ - AIR F2L 1011F - MECC ALTE ECO3 2L GBA13 *D / 1500 1/MIN			 Nº PIGBA13_B Replacing: Replaced by: