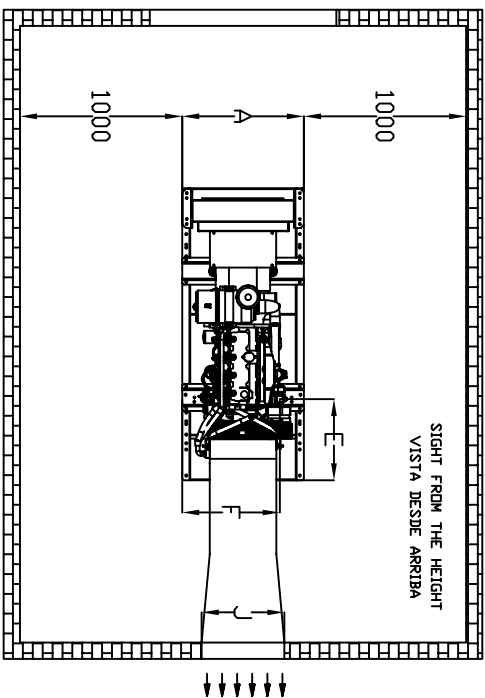


	GSL22D	GSL30D	GSL42D
A (mm)	750	750	750
B (mm)	1700	1700	1700
B1 (mm)	1600	1600	1600
C (mm)	1400	1800	1800
C1 (mm)	1100	1500	1500
D (mm)	540	540	540
E (mm)	---	---	---
F (mm)	---	---	---
G (mm)	250	250	250
H (mm)	45	45	45
I (mm)	500	500	500
J (mm)	520	520	520

COOLING AIR INTAKE
ENTRADA DE AIRE

MODEL/ MODELO	PRIME POWER POTENCIA	ENGINE MOTOR	ALTERNATOR ALTERNADOR	FUEL TANK (LIT) DEPOSITO DE COMBUSTIBLE	WEIGHT (KG) PESO (KG)
GSL22D	20	F3M2011	BC1184E	90	554
GSL30D	29	F4M2011	BC1184F	90	714
GSL42D	39.3	BF4M2011	BC1184J	90	761

MODEL/ MODELO	AIR FLOW/CAUDALES DE AIRE (M ³ /H)			FUEL CONSUMPTION/ CONSUMO DE COMBUSTIBLE (L/H)		
	COMBUSTION AIRE DE REFRIGERACION	COOLING AIR GASES DE ESCAPE	EXHAUST GASES GASES DE ESCAPE	75% LOAD	100% LOAD	100% LOAD
GSL22D	86	2520	230	3.9	5.2	5.2
GSL30D	117	2520	314	5.3	7.1	7.1
GSL42D	151	3318	432	7.1	9.4	9.4



NOTE: GENERATING SET MUST BE LOCATED WITH, AT LEAST, ONE METER FREE SPACE AROUND FOR MAINTENANCE WORK SURFACE OF COOLING AIR INTAKE LOUVERS MUST BE, AT LEAST, TWICE SURFACE OF COOLING AIR EXHAUST LOUVERS

NOTA: EL GENERADOR DEBE SITUARSE CON, AL MENOS, UN METRO LIBRE ALREDEDOR PARA TRABAJOS DE MANTENIMIENTO LA SUPERFICIE DE REJILLA DE REFRIGERACION DE ENTRADA DEBE SER, AL MENOS, DOS VECES LA SUPERFICIE DE LA REJILLA DE SALIDA DE AIRE

* IF IN DOUBT-ASK, DO NOT SCALE / EN CASO DE DUDA-PREGUNTAR, NO ESCALAR
* RECOMMENDED INSTALLATION DIMENSIONS FOR STANDARD CONFIGURATION /
DIMENSIONES DE INSTALACION RECOMENDADAS PARA CONFIGURACION ESTANDAR
* THE PRODUCER RESERVES THE RIGHT OF MODIFYING THE DIMENSIONS REPRESENTED IN THIS PLANE WITHOUT PRIOR NOTICE
EL FABRICANTE SE RESERVA EL DERECHO DE MODIFICAR LAS DIMENSIONES REPRESENTADAS EN ESTE PLANO SIN PREVIO AVISO

2004 DATE/NAME

Drawn JGM

Checked JGG

Exempted

SCALE

RECOMMENDED INSTALLATION DIMENSIONS
STANDARD GENSET

GSL22D-30D-42D - 1.500 RPM



№ PCS 22D-42D_300

Replacing:

Replaced by: