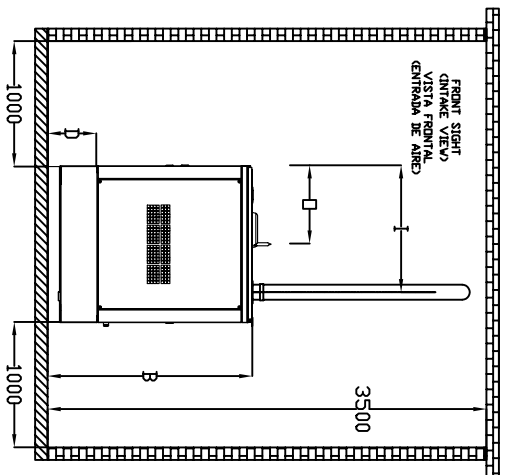
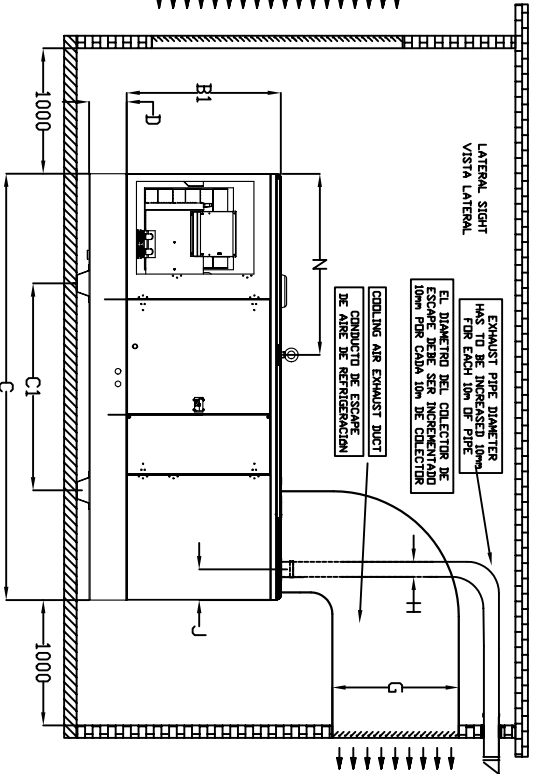
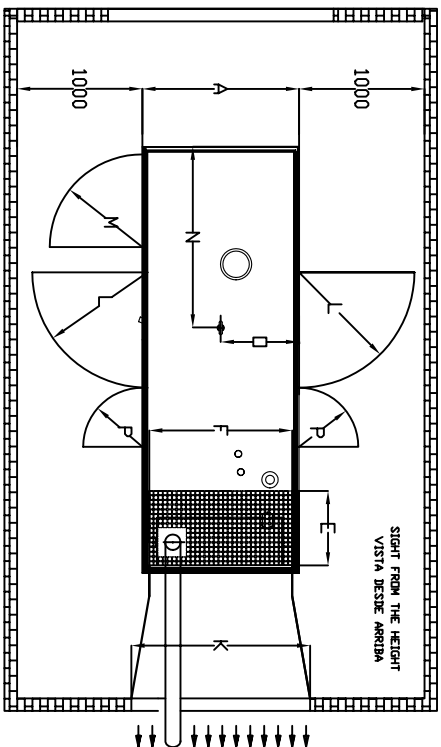
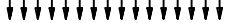


COOLING AIR INTAKE
ENTRADA DE AIRE



	GSW145/170D
A (mm)	1245
B (mm)	1633
BI (mm)	1230
C (mm)	3400
C1 (mm)	1650
D (mm)	300
E (mm)	594
F (mm)	1140
G (mm)	928
H (mm)	140
I (mm)	1002
J (mm)	245
K (mm)	1425
L (mm)	919
M (mm)	739
N (mm)	1443
O (mm)	620
P (mm)	472

COOLING AIR INTAKE
ENTRADA DE AIRE



MODEL/ MODELO	PRIME POWER / POTENCIA	ENGINE / MOTOR	ALTERNATOR / GENERADOR	FUEL TANK (LIT.) / DEPÓSITO DE COMBUSTIBLE	WEIGHT (KG) / PESO
GSW145D	135	BFM1013E	UC1274E	340	2180
GSW170D	159	BFM1013E	UC1274E	340	2250

MODEL/ MODELO	COMBUSTION / COMBUSTIÓN	AIR FLOW/CAUDALES DE AIRE (M ³ /H)	COOLING AIR / GASES DE ESCAPE	EXHAUST GASES / GASES DE ESCAPE	FUEL CONSUMPTION/ CONSUMO DE COMBUSTIBLE (L/H)	75% LOAD	100% LOAD
GSW145D	484.2	9000	1453.8	21.9	24.5	29.2	32.7
GSW170D	607.2	10800	1602	24.5	24.5	29.2	32.7

NOTE: GENERATING SET MUST BE LOCATED WITH, AT LEAST, ONE METER FREE SPACE AROUND FOR MAINTENANCE WORK
SURFACE OF COOLING AIR INTAKE LOUVERS MUST BE, AT LEAST, TWICE SURFACE OF COOLING AIR EXHAUST LOUVERS
NOTA: EL GENERADOR DEBE SITUARSE CON, AL MENOS, UN METRO LIBRE ALREDEDOR PARA TRABAJOS DE MANTENIMIENTO
LA SUPERFICIE DE REJILLA DE REFRIGERACION DE ENTRADA DEBE SER, AL MENOS, DOS VECES LA SUPERFICIE DE LA REJILLA DE SALIDA DE AIRE

* IF IN DOUBT ASK DO NOT SCALE / EN CASO DE DUDA PREGUNTAR NO ESCALAR
* RECOMMENDED INSTALLATION DIMENSIONS FOR STANDARD CONFIGURATION / DIMENSIONES DE INSTALACION RECOMENDADAS PARA CONFIGURACION ESTANDAR
* THE PRODUCER RESERVES THE RIGHT OF MODIFYING THE DIMENSIONS REPRESENTED IN THIS PLANE WITHOUT PRIOR NOTICE
* EL FABRICANTE SE RESERVA EL DERECHO DE MODIFICAR LAS DIMENSIONES REPRESENTADAS EN ESTE PLANO SIN PREVIO AVISO

2006	DATE	NAME		
Drawn				
Checked	16-05-06			
Examined				

RECOMMENDED INSTALLATION DIMENSIONS
SOUNDPROOF GENSET
GSW145 - 170D 1.500 RPM
No P16GSW145-170D_300
Replacing
Replaced by