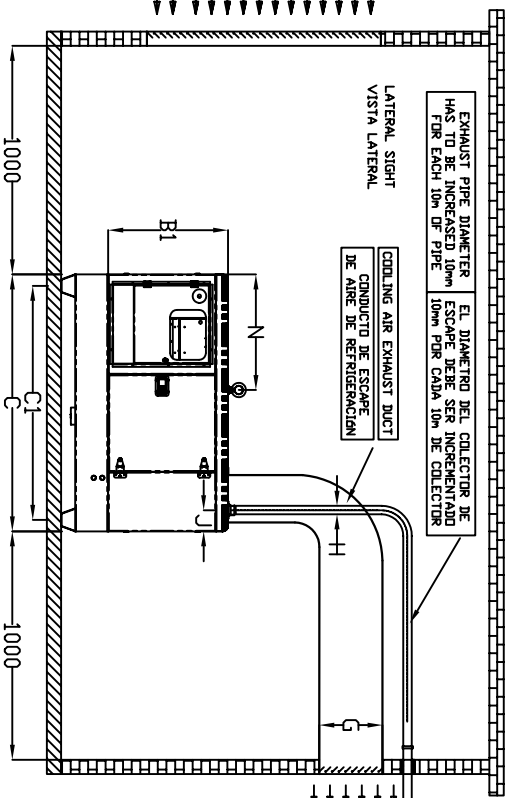
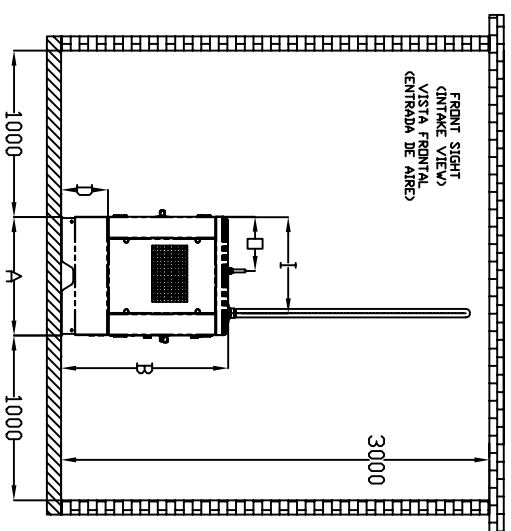


BACK SIGHT EXHAUST VIEW
VISTA TRASERA
CUADRO DEL ESCAPE



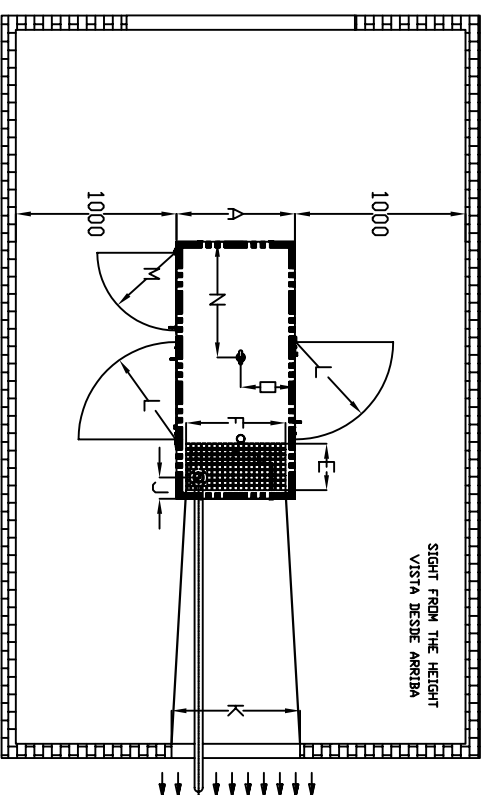
LATERAL SIGHT
VISTA LATERAL



FRONT SIGHT
EXHAUST VIEW
VISTA FRONTAL
ENTRADA DE AIRE

| | GSV15P | GSV22P |
|---------|--------|--------|
| A (mm) | 830 | 830 |
| B (mm) | 1710 | 1710 |
| B1 (mm) | 840 | 840 |
| B2 (mm) | 1300 | 1300 |
| C (mm) | 1800 | 1800 |
| C1 (mm) | 1640 | 1640 |
| D (mm) | 330 | 330 |
| E (mm) | 325 | 325 |
| F (mm) | 720 | 720 |
| G (mm) | 450 | 450 |
| H (mm) | 60 | 60 |
| I (mm) | 675 | 675 |
| J (mm) | 150 | 150 |
| K (mm) | 900 | 900 |
| L (mm) | 680 | 680 |
| M (mm) | 545 | 545 |
| N (mm) | 800 | 800 |
| D (mm) | 380 | 380 |

COOLING AIR INTAKE
ENTRADA DE AIRE



SIGHT FROM THE HEIGHT
VISTA DESDE ARRIBA

| MODEL / MODELO | PRIME POWER POTENCIA | ENGINE MOTOR | ALTERNATOR ALTERNADOR | FUEL TANK (LIT.) DEPÓSITO DE COMBUSTIBLE | WEIGHT (KG) PESO (KG) |
|----------------|----------------------|--------------|-----------------------|------------------------------------------|-----------------------|
| GSW15P | 13.0 | 403G-15G | ECO 3 2L | 50 | 700 |
| GSW22P | 19.4 | 404C-22G | BCI 184 E | 50 | 765 |

| MODEL / MODELO | AIR FLOW/CAUDALES DE AIRE (M3/H) | | FUEL CONSUMPTION/CONSUMO DE COMBUSTIBLE (L/h) | |
|----------------|----------------------------------|-------------|-----------------------------------------------|----------|
| | COMBUSTION | COOLING AIR | EXHAUST GASES | 75% LOAD |
| GSW15P | 64.8 | 3294 | 163.2 | 2.7 |
| GSW22P | 87 | 3618 | 218.4 | 4.0 |

NOTE: GENERATING SET MUST BE LOCATED WITH, AT LEAST, ONE METER FREE SPACE AROUND FOR MAINTENANCE WORK SURFACE OF COOLING AIR INTAKE LOUVERS MUST BE, AT LEAST, TWICE SURFACE OF COOLING AIR EXHAUST LOUVERS

NOTA: EL GENERADOR DEBE SITUARSE CON, AL MENOS, UN METRO LIBRE ALREDEDOR PARA TRABAJOS DE MANTENIMIENTO LA SUPERFICIE DE REJILLA DE REFRIGERACION DE ENTRADA DEBE SER, AL MENOS, DOS VECES LA SUPERFICIE DE LA REJILLA DE SALIDA DE AIRE

* IF IN DOUBT/ASK, DO NOT SCALE / EN CASO DE DUDA-PREGUNTAR, NO ESCALAR
 * RECOMMENDED INSTALLATION DIMENSIONS FOR STANDARD CONFIGURATION /
 DIMENSIONES DE INSTALACION RECOMENDADAS PARA CONFIGURACION ESTANDAR
 * THE PRODUCER RESERVES THE RIGHT OF MODIFYING THE DIMENSIONS REPRESENTED IN THIS PLANE WITHOUT PRIOR NOTICE
 EL FABRICANTE SE RESERVA EL DERECHO DE MODIFICAR LAS DIMENSIONES REPRESENTADAS EN ESTE PLANO SIN PREVIO AVISO

| 2005 | DATE | NAME |
|----------|------|------|
| Drawn | | JUG |
| Checked | | |
| Examined | | |

SCALE

RECOMMENDED INSTALLATION DIMENSIONS

STANDARD GENSET GSW15-20

GSW15P-22P



No P/GSW15P-22P 300

Replacing

Replaced by: