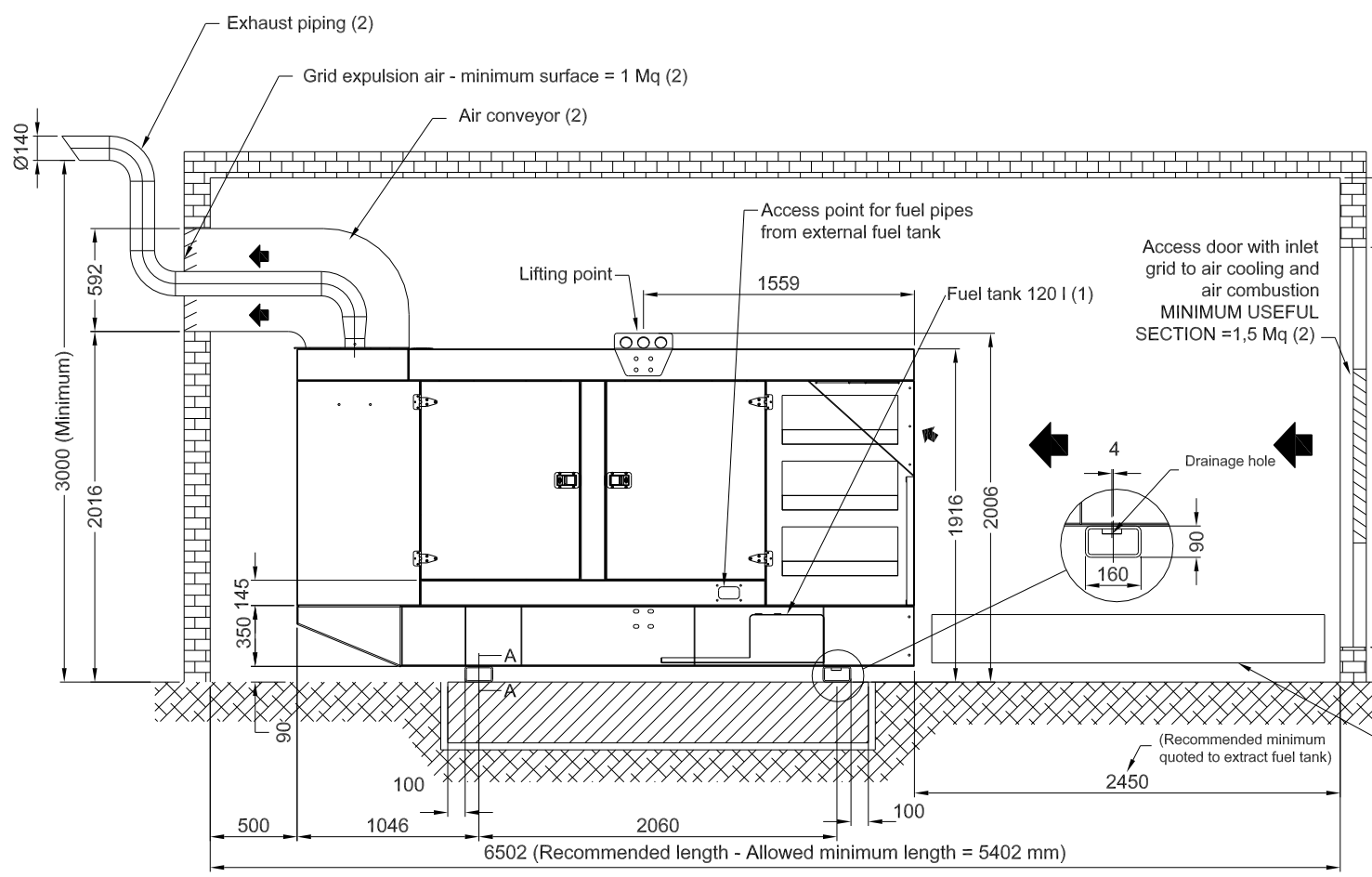
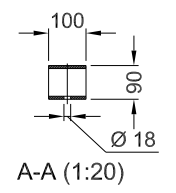


Concrete sill
High density insulating layer
Recommended manufacture



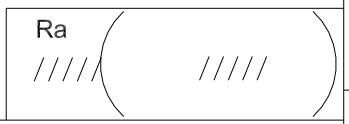
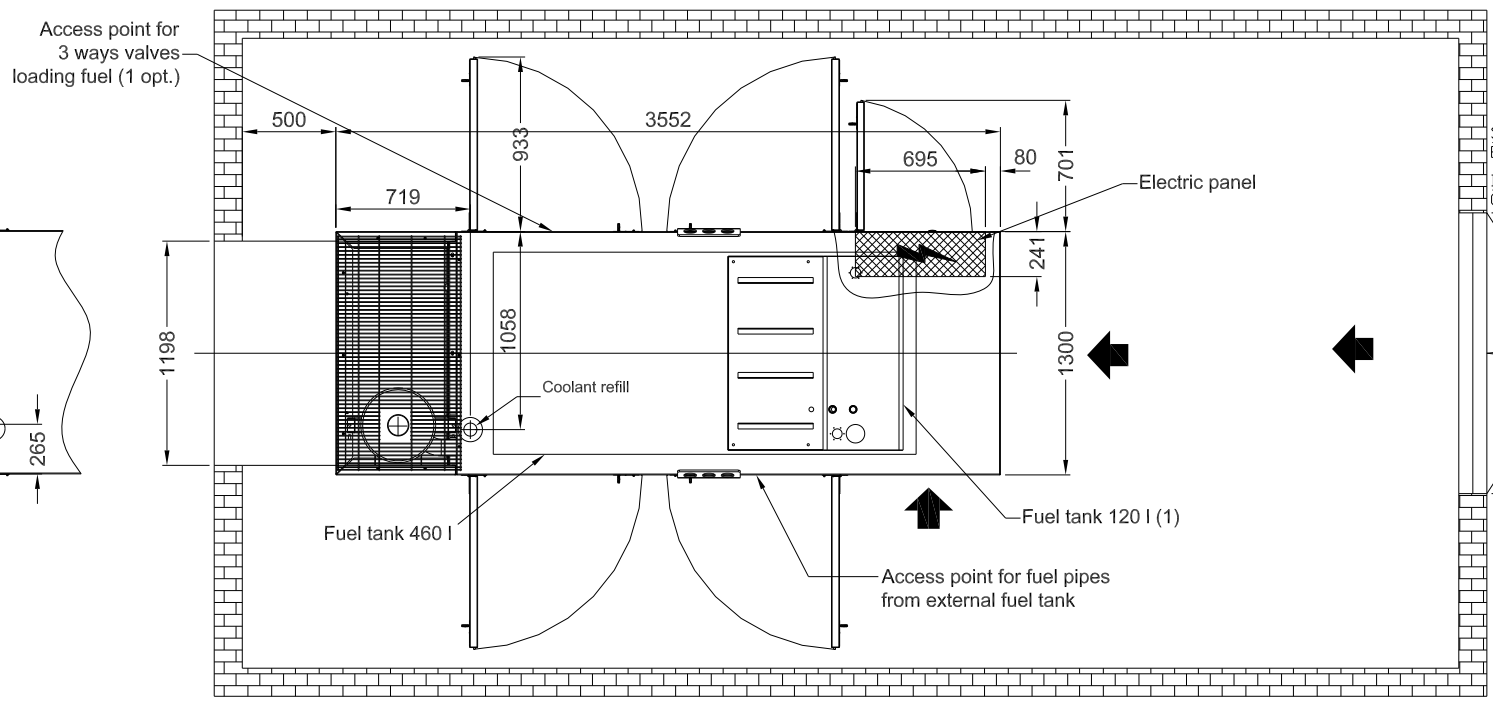
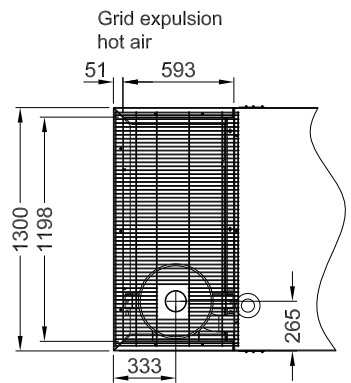
Overall dimensions to extract fuel tank



- SEZ. EMER. Emergency stop
- INT. CAR. External fuel interception (Only with external fuel tank and automatic loading fuel pump)

NOTE:
1) Optional
2) Not included in standard supply

- Dry weight = 2785 Kg
- Engine model: VOLVO TAD734GE
- Total air flow: (coolant + combustion) = 167,4 m³/min



Rev.	Data-Date / Modifica-Modification / Operatore-Made by	Oggetto Description	G.E. GSW275V CANOPY			
		Macchina/Machine	Gruppi elettrogeni/Generating sets PE			
		Gruppo/Assembly		Tol. ±	↔	
		Materiale/Material				
		Trattamento/Treatment				
		Peso Weight Kg	Scala/Scale	1:40	Data/Date	04-09-2007
		Disegnato/Drawn	Approvato/Approved	CODICE DWG. NO. PEB011		
		D. Petreni				

This drawing is the sole property of PRAMAC S.p.A. - Any reproduction in part or whole without the permission is prohibited. Il presente disegno è di proprietà della PRAMAC S.p.A. - E' proibita la riproduzione non autorizzata sia parziale che completa.