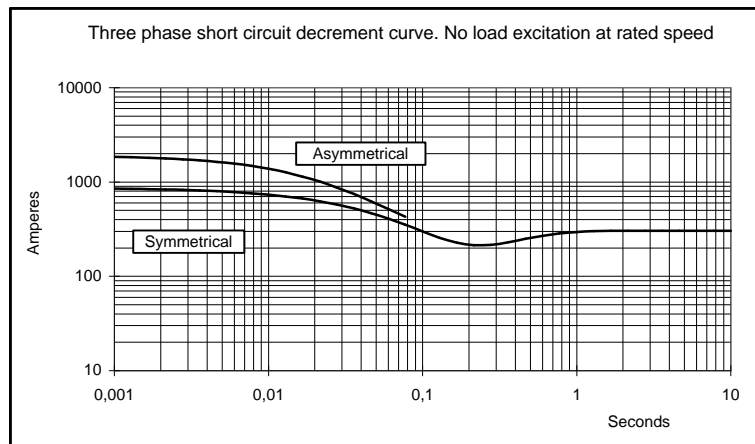
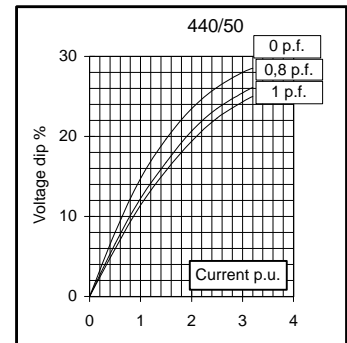
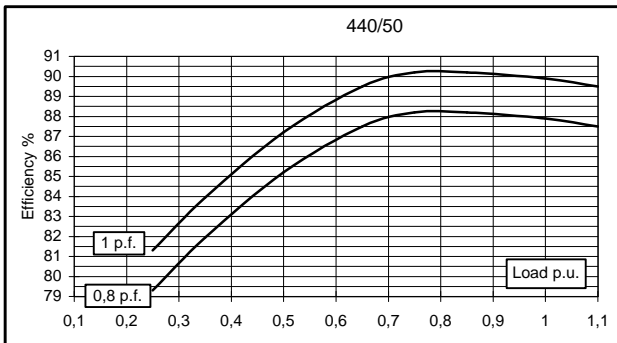
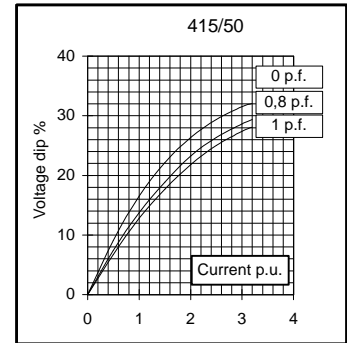
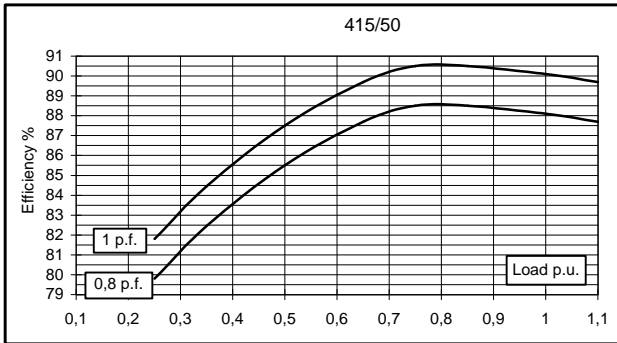
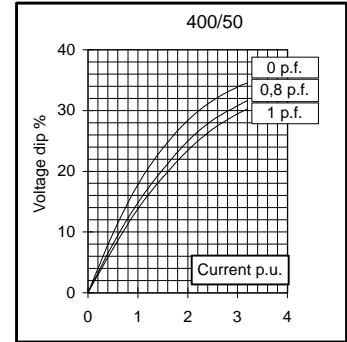
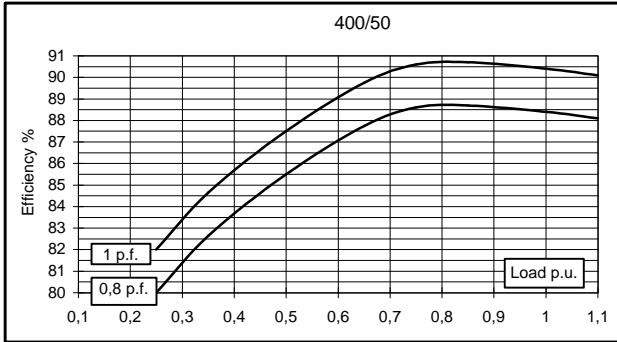
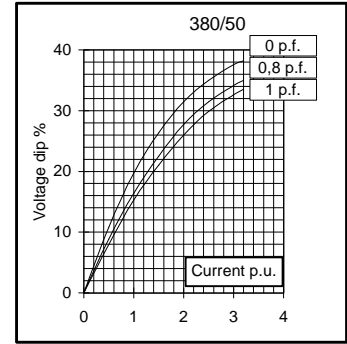
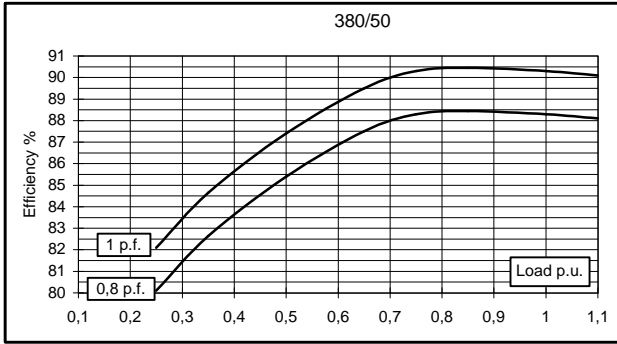
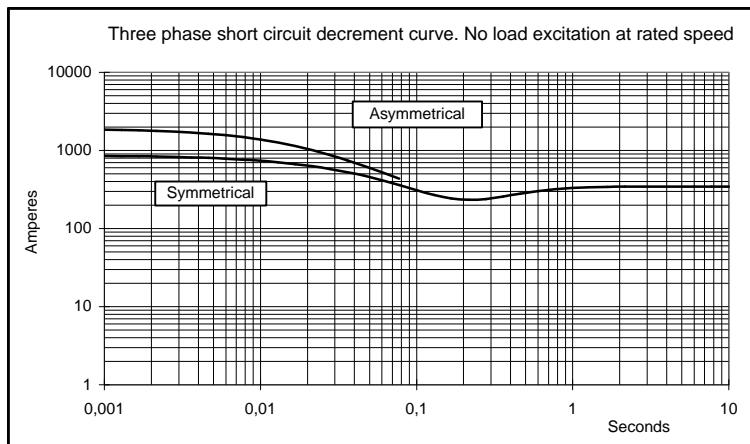
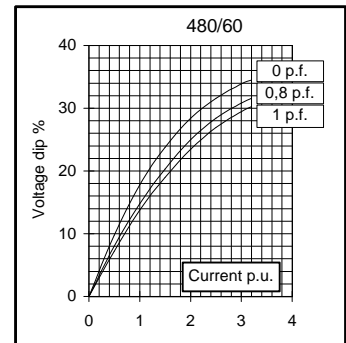
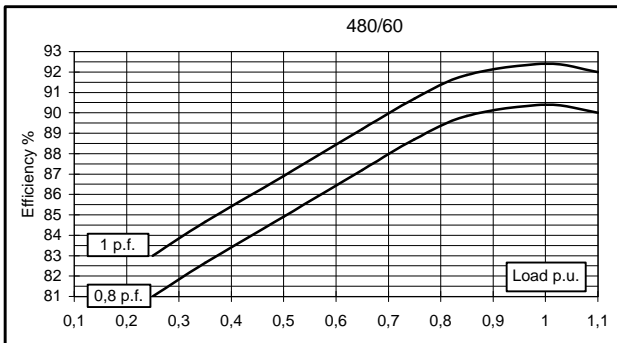
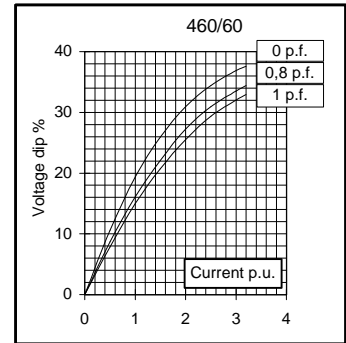
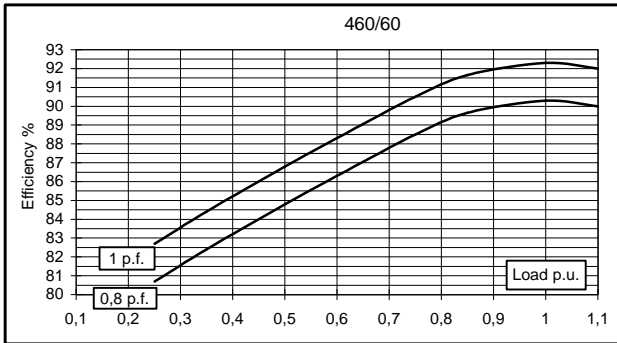
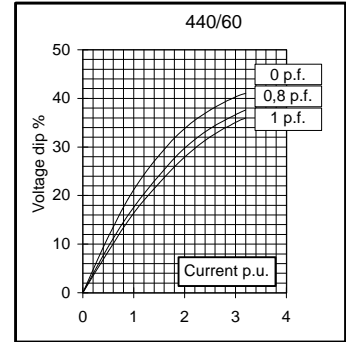
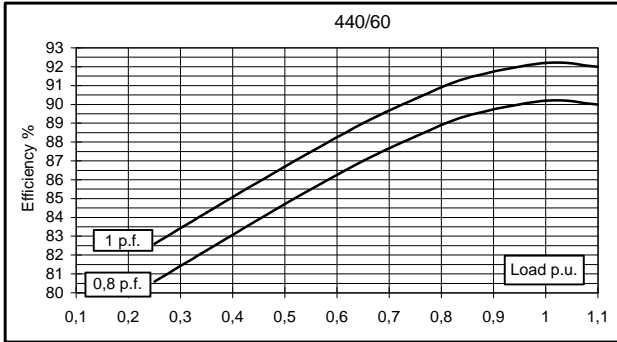
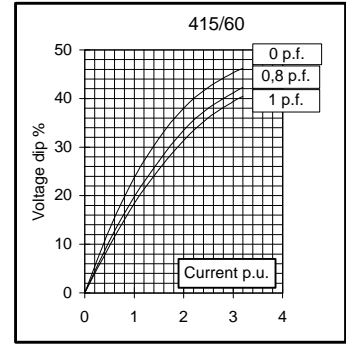
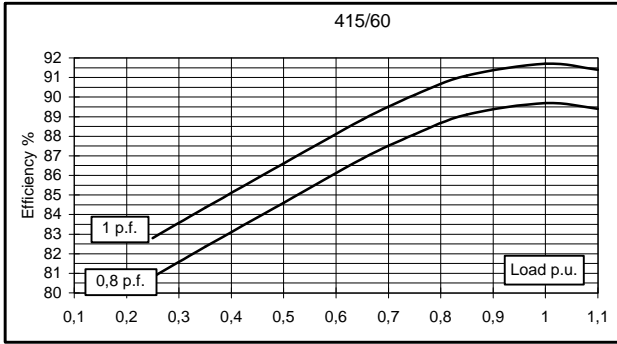


Electrical Characteristics										
Frequency	Hz	50				60				
Voltage (star)	V	380	400	415	440	415	440	460	480	
Rated power class H	kVA	66	66	65	55	68	75	79,5	79,5	
	kW	52,8	52,8	52	44	54,4	60	63,6	63,6	
Rated power class F	kVA	60	60	59	50	61,5	68	72	72	
	kW	48	48	47,2	40	49,2	54,4	57,6	57,6	
Regulation with	SR7/2	±1,5 % with any power factor and speed variations between -5% +30%								
Insulation class		H								
Execution		Brushless								
Stator winding		12 ends								
Rotor		with damping cage								
Efficiencies class H (see graph. for details)	4/4	%	88,3	88,4	88,1	87,9	89,7	90,2	90,3	90,4
	3/4	%	88,3	88,6	88,5	88,2	88,1	88,3	88,5	88,7
	2/4	%	85,4	85,5	85,5	85,2	84,6	84,7	84,8	84,9
	1/4	%	80,1	80	79,8	79,3	80,8	80,6	80,7	81
Reactances (f. l.cl. F)	Xd	%	518,2	468	427,9	322,1	535,2	525,1	509,3	468
	Xd'	%	13,96	12,6	11,53	8,68	14,42	14,15	13,72	12,6
	Xd''	%	6,87	6,2	5,67	4,27	7,09	6,96	6,75	6,2
	Xq	%	267,1	241,1	220,6	166,0	275,9	270,7	262,5	241,1
	Xq'	%	267,1	241,1	220,6	166,0	275,9	270,7	262,5	241,1
	Xq''	%	32,2	29,1	26,6	20,0	33,3	32,7	31,7	29,1
	X ₂	%	19,56	17,65	16,15	12,16	20,20	19,82	19,22	17,65
	X ₀	%	2,99	2,7	2,47	1,86	3,09	3,03	2,94	2,7
Short Circuit Ratio	Kcc		0,31	0,40	0,54	0,95	0,20	0,25	0,31	0,40
Time Constants	Td'	sec.	0,074							
	Td''	sec.	0,017							
	Tdo'	sec.	1,20							
	Tα	sec.	0,009							
Short Circuit Current Capacity	%	>300				>320				
Excitation at no load	Amp.	0,4	0,5	0,6	0,7	0,3	0,35	0,4	0,5	
Excitation at full load	Amp.	1,4	1,5	1,6	1,7	1,2	1,2	1,3	1,4	
Overload (long-term)	%	1 hour in a 6 hours period 110% rated load								
Overload per 20 sec.	%	300								
Stator Winding Resistance (20°C)	Ω	0,043								
Rotor Winding Resistance (20°C)	Ω	4,301								
Exciter Resistance (20 °C)	Ω	Rotor : 0,442				Stator : 11,35				
Heat dissipation at f.l.cl.H	W	6996	6929	7024	6057	6247	6519	6832	6754	
Telephone Interference		THF < 2%				TIF < 50				
Radio interference		EN50081-1, EN50082-1, VDE0875K. For others standards apply to factory								
Waveform Distors.(THD) at f. load	LL/LN %	3,5 / 3,2								
Waveform Distors.(THD) at no load	LL/LN %	4,4 / 3,9								
Mechanical characteristics										
Protection		IP 21 (other protection on request)								
DE bearing		6312-2RS								
NDE bearing		6309-2RS								
Weight of wound stator assembly	kg	68,2								
Weight of wound rotor assembly	kg	46,4								
Weight of complete generator	kg	217								
Maximun overspeed	rpm	4320								
Unbalanced magnetic pull at f.l.cl.F	kN/mm	4								
Cooling air requirement	m³/min	22,4				27				
Inertia Constant (H)	sec.	0,332				0,397				
Noise level at 1m/7m	dB(A)	88 / 77				93 / 80				

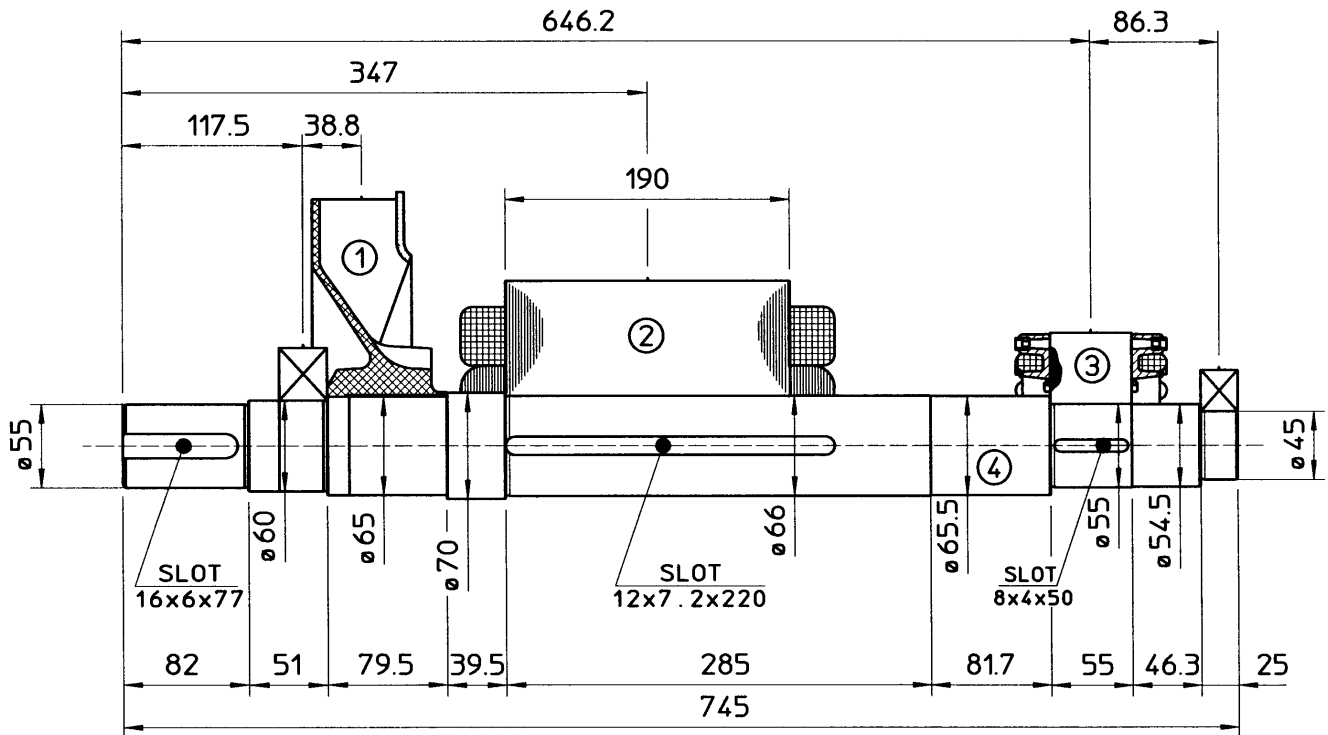
50 Hz



60 Hz

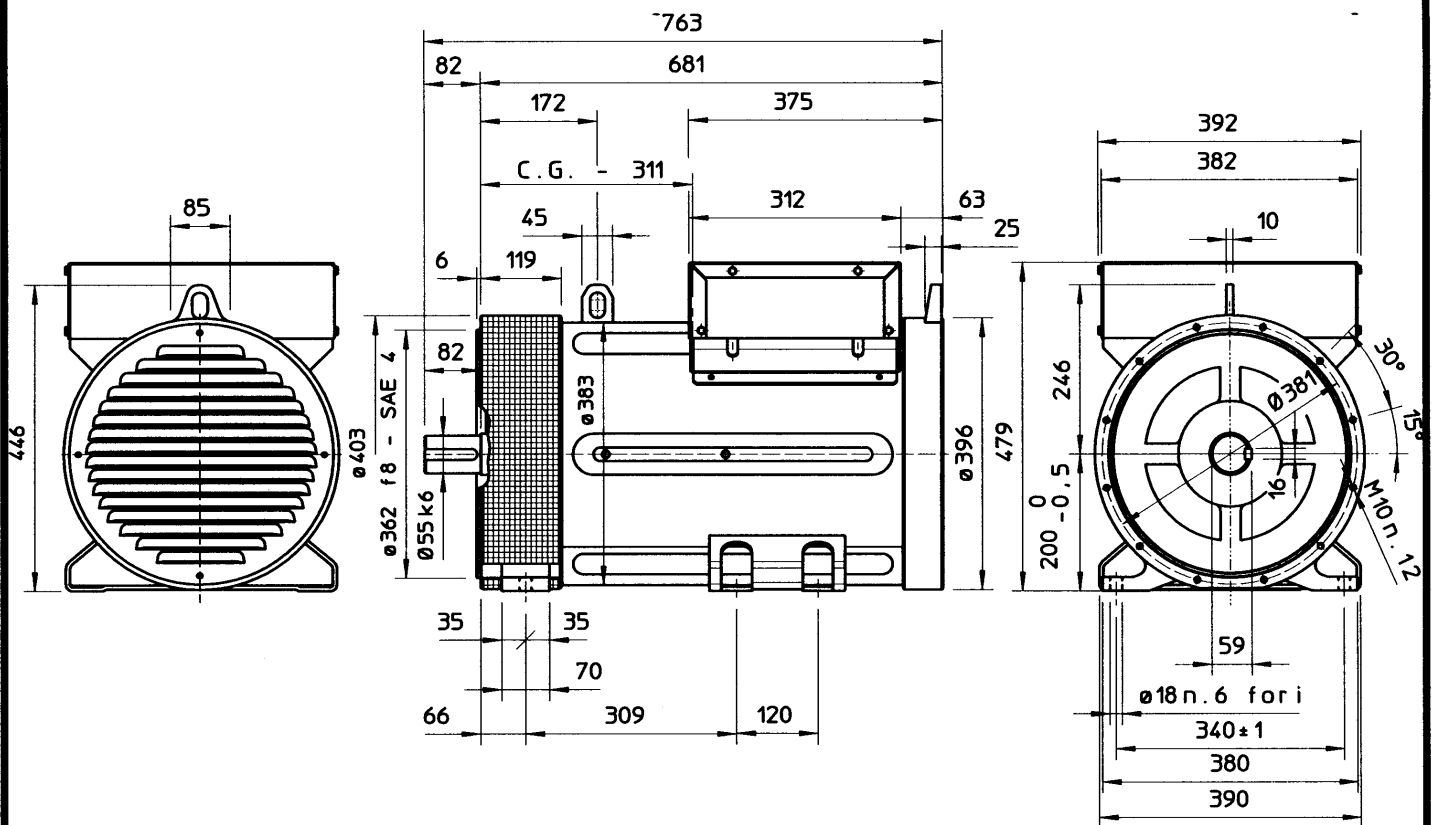


TWO BEARING MOMENTS OF INERTIA



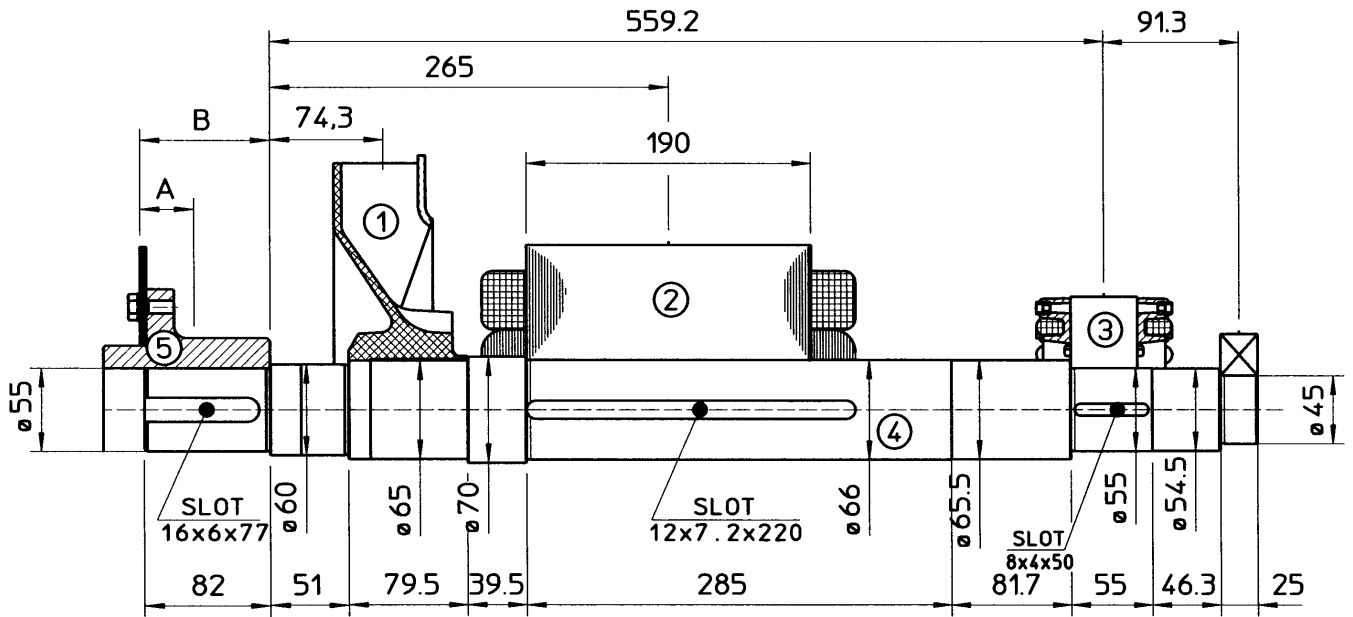
COMPONENT	WEIGHT kg	J kgm ²
1 FAN	2.3	0.0224
2 MAIN ROTOR	41.2	0.154
3 EX. ROTOR	7	0.016
4 SHAFT	17.5	0.008
TOTAL	68	0.2004

TWO BEARING DIMENSIONS



C.G. - GRAVITY CENTER

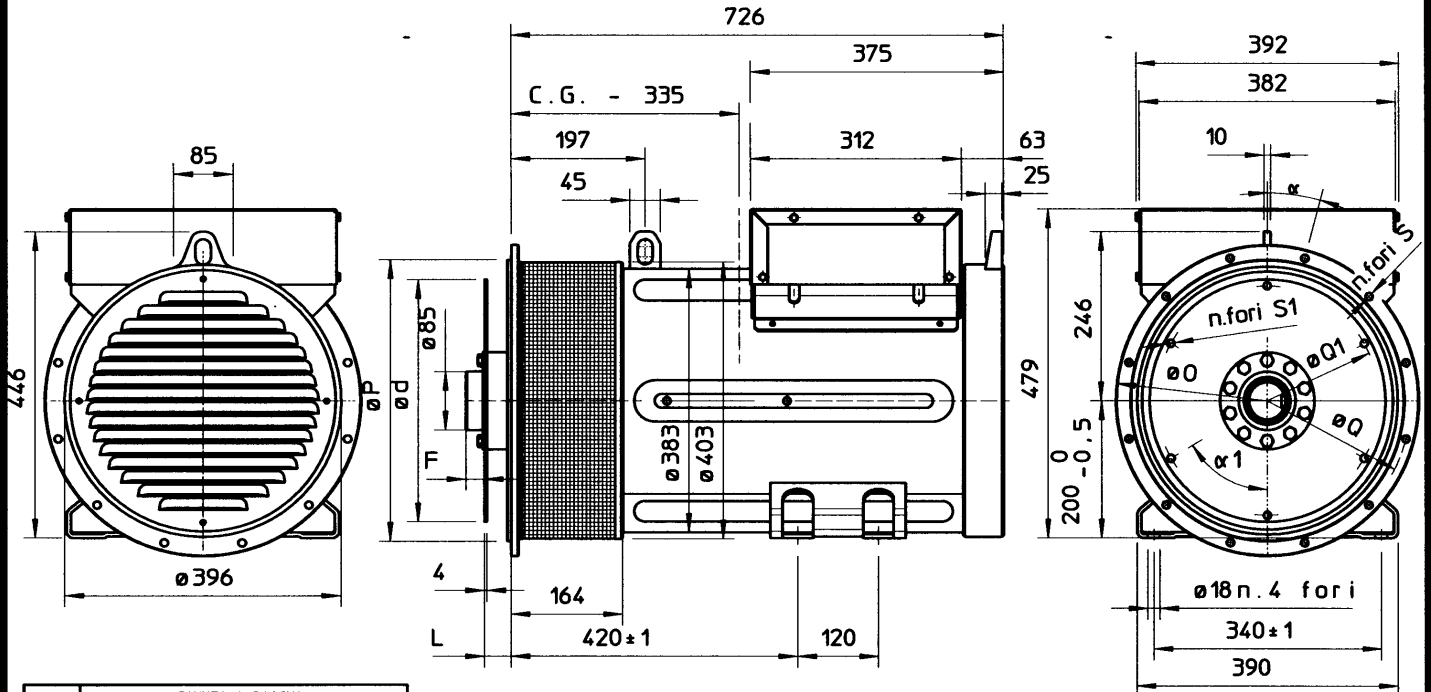
SINGLE BEARING MOMENTS OF INERTIA



COMPONENT	WEIGHT kg	J kgm ²
1 FAN	2.3	0.0224
2 MAIN ROTOR	41.2	0.154
3 EX. ROTOR	7	0.016
4 SHAFT	17.5	0.008
TOTAL	68	0.2004

SAE No	SHAFTS COUPLING FLEX PLATE			
	A	B	WEIGHT kg	J kgm ²
6.5	26.1	75.2	4.2	0.0225
7.5	25.7	75.2	4.4	0.0256
8	38.25	106.9	7.2	0.0314
10	32.7	98.7	8.7	0.0485
11.5	24	84.5	8.3	0.0372

SINGLE BEARING DIMENSIONS



SAE N.	GIUNTI A DISCHI DISC COUPLING DISQUE DE MONOPALIER SCHEIBENKUPPLUNG						
	L	d	Q1	N. FORI	S1	α1	F
6 1/2	30.2	215.9	200	6	9	60°	7
7 1/2	30.2	241.3	222.25	8	9	45°	7
8	62	263.52	244.47	6	11	60°	2
10	53.8	314.32	295.27	8	11	45°	10
11 1/2	39.6	352.42	333.37	8	11	45°	24

SAE N.	FLANGIA / FLANGE BRIDE / FLANSCH					
	O	P	Q	N. FORI	S	α
5	356	314.3	333.4	8	11	22°30'
4	403	362	381	12	11	15°
3	451	409.6	428.6	12	11	15°
2	489	447.7	466.7	12	11	15°
1	552	511.2	530.2	12	11	15°

C.G. - GRAVITY CENTER