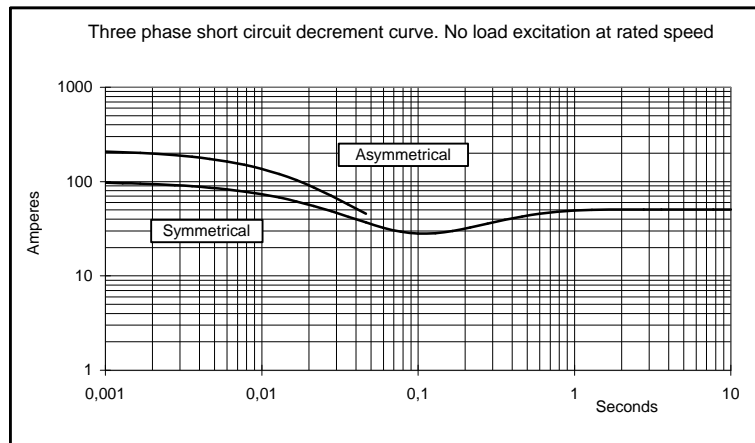
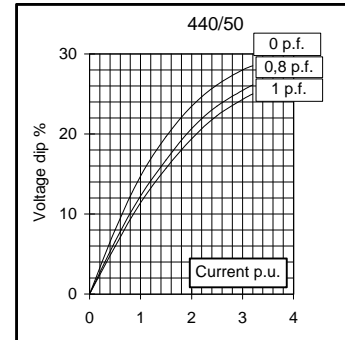
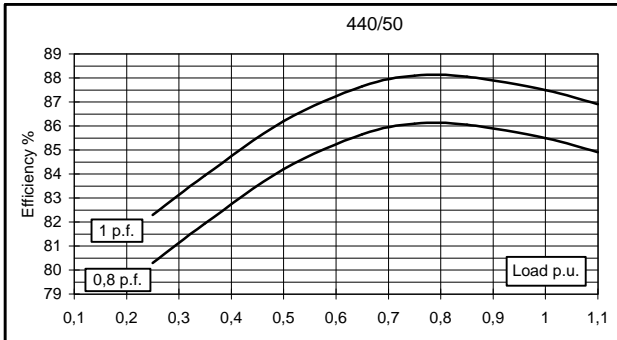
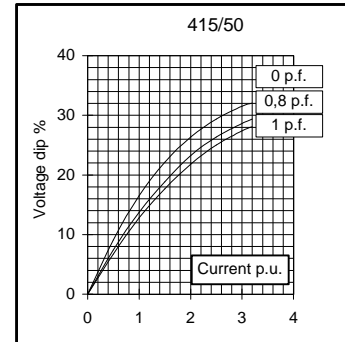
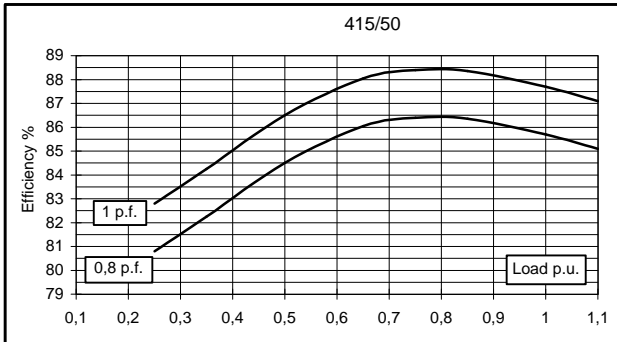
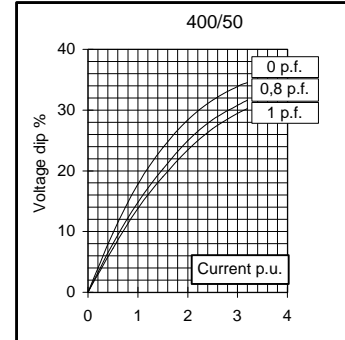
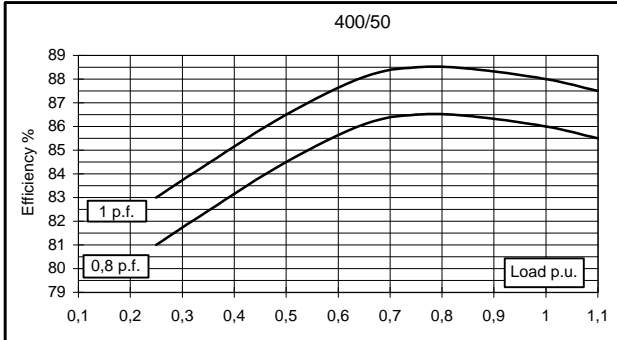
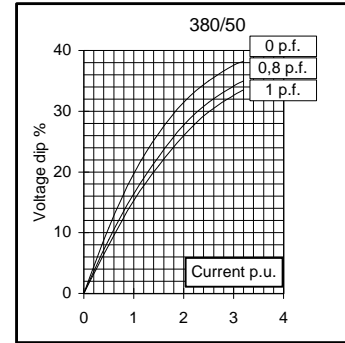
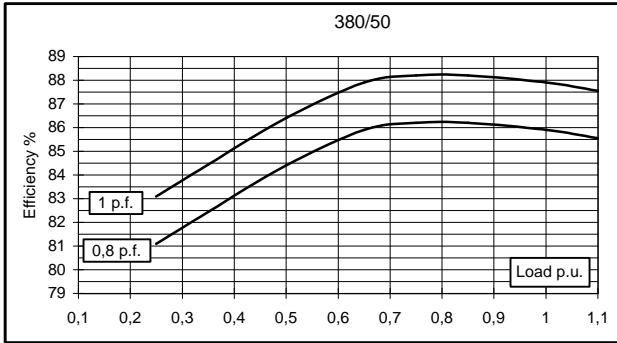


Electrical Characteristics										
Frequency	Hz	50				60				
Voltage (star)	V	380	400	415	440	415	440	460	480	
Rated power class H	kVA	11	11	11	9	12	13,2	13,2	13,2	
	kW	8,8	8,8	8,8	7,2	9,6	10,6	10,6	10,6	
Rated power class F	kVA	10	10	10	8	10	11	12	12	
	kW	8	8	8	6,4	8	8,8	9,6	9,6	
Regulation with	SR7/2	±1,5 % with any power factor and speed variations between -5% +30%								
Insulation class		H								
Execution		Brushless								
Stator winding		6 ends								
Rotor		without damping cage								
Efficiencies class H (see graph. for details)	4/4	%	85,9	86	85,7	85,5	87,1	87,6	87,7	87,8
	3/4	%	86,2	86,5	86,4	86,1	87,3	87,5	87,7	87,9
	2/4	%	84,4	84,5	84,5	84,2	85,2	85,3	85,4	85,5
	1/4	%	81,1	81	80,8	80,3	81,8	81,6	81,7	82
Reactances (f. l.cl. F)	Xd	%	246,0	222	206,2	150,1	270,0	264,2	241,7	222
	Xd'	%	24,60	22,2	20,62	15,01	27,00	26,42	24,17	22,2
	Xd''	%	17,40	15,7	14,59	10,62	19,09	18,68	17,09	15,7
	Xq	%	78,7	71	66,0	48,0	86,3	84,5	77,3	71
	Xq'	%	78,7	71	66,0	48,0	86,3	84,5	77,3	71
	Xq''	%	91,4	82,5	76,6	55,8	100,3	98,2	89,8	82,5
	X ₂	%	20,94	18,9	17,56	12,78	22,99	22,49	20,58	18,9
	X ₀	%	6,87	6,2	5,76	4,19	7,54	7,38	6,75	6,2
Short Circuit Ratio	Kcc		0,73	0,85	1,06	1,50	0,60	0,68	0,73	0,85
Time Constants	Td'	sec.	0,038							
	Td''	sec.	0,014							
	Tdo'	sec.	0,82							
	Tα	sec.	0,048							
Short Circuit Current Capacity	%	>300				>320				
Excitation at no load	Amp.	0,32	0,34	0,38	0,45	0,2	0,22	0,25	0,3	
Excitation at full load	Amp.	1,4	1,46	1,55	1,6	1,1	1,28	1,32	1,4	
Overload (long-term)	%	1 hour in a 6 hours period 110% rated load								
Overload per 20 sec.	%	300								
Stator Winding Resistance (20°C)	Ω	1,082								
Rotor Winding Resistance (20°C)	Ω	8,785								
Exciter Resistance (20 °C)	Ω	Rotor : 1,453				Stator : 15,71				
Heat dissipation at f.l.cl.H	W	1444	1433	1468	1221	1422	1495	1481	1467	
Telephone Interference		THF < 2%				TIF < 45				
Radio interference		EN50081-1, EN50082-1, VDE 0875K. For others standards apply to factory								
Waveform Distors.(THD) at f. load	LL/LN %	2,3 / 2								
Waveform Distors.(THD) at no load	LL/LN %	2,6 / 2,6								
Mechanical characteristics										
Protection		IP 23 (other protection on request)								
DE bearing		6308-2RS								
NDE bearing		6305-2RS								
Weight of wound stator assembly	kg	23,7								
Weight of wound rotor assembly	kg	12,8								
Weight of complete generator	kg	77								
Maximun overspeed	rpm	2250								
Unbalanced magnetic pull at f.l.cl.F	kN/mm	2,9								
Cooling air requirement	m³/min	3,3				4				
Inertia Constant (H)	sec.	0,0863				0,103				
Noise level at 1m/7m	dB(A)	72 / 58				78 / 60				

All technical data are to be considered as a reference and they cab be modified without any notice

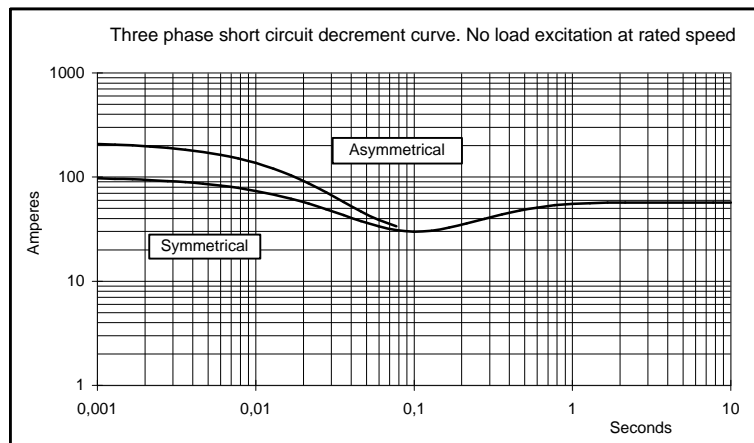
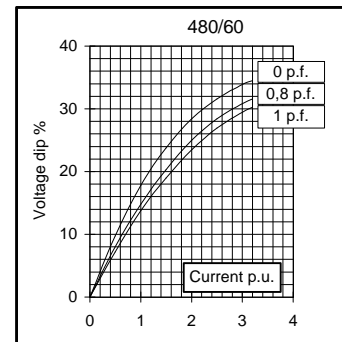
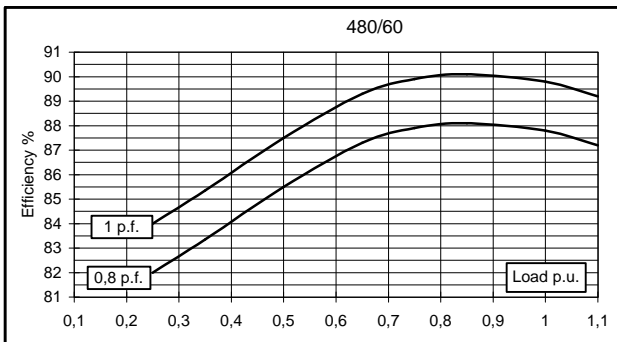
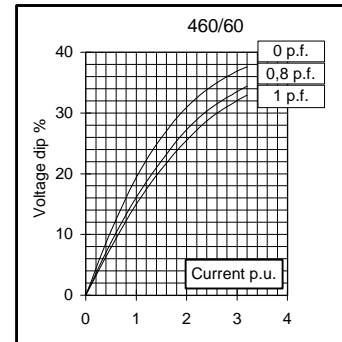
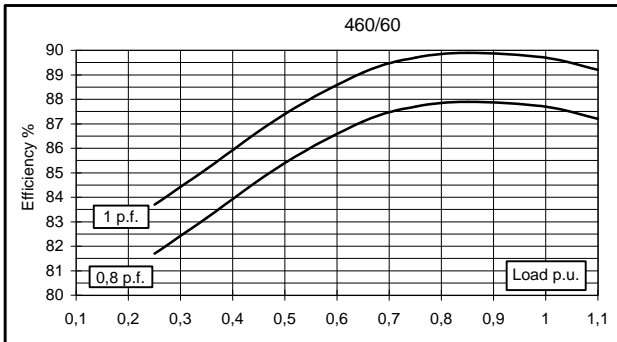
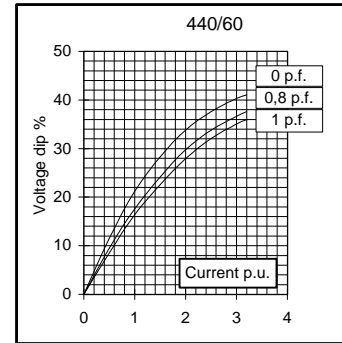
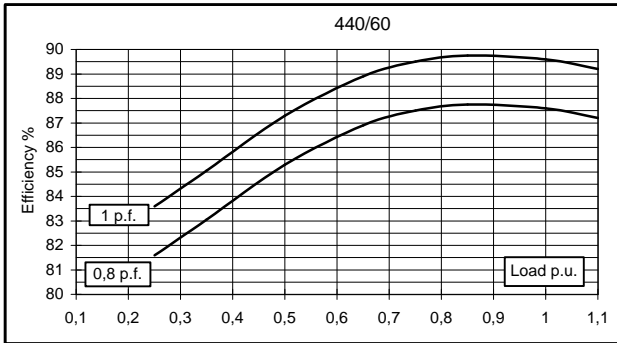
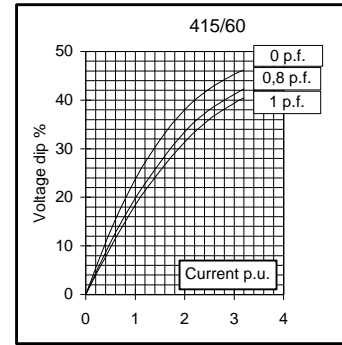
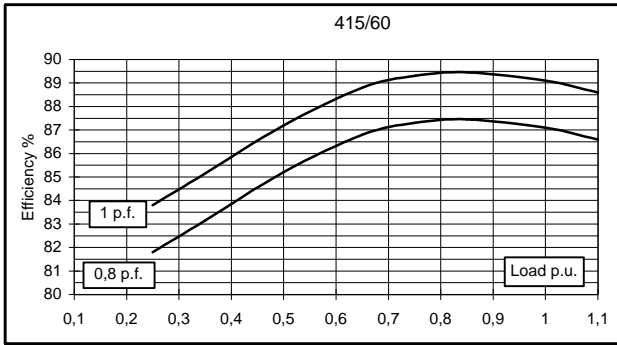
This document is a propriety of Mecc Alte S.p.a..All rights reserved.

50 Hz



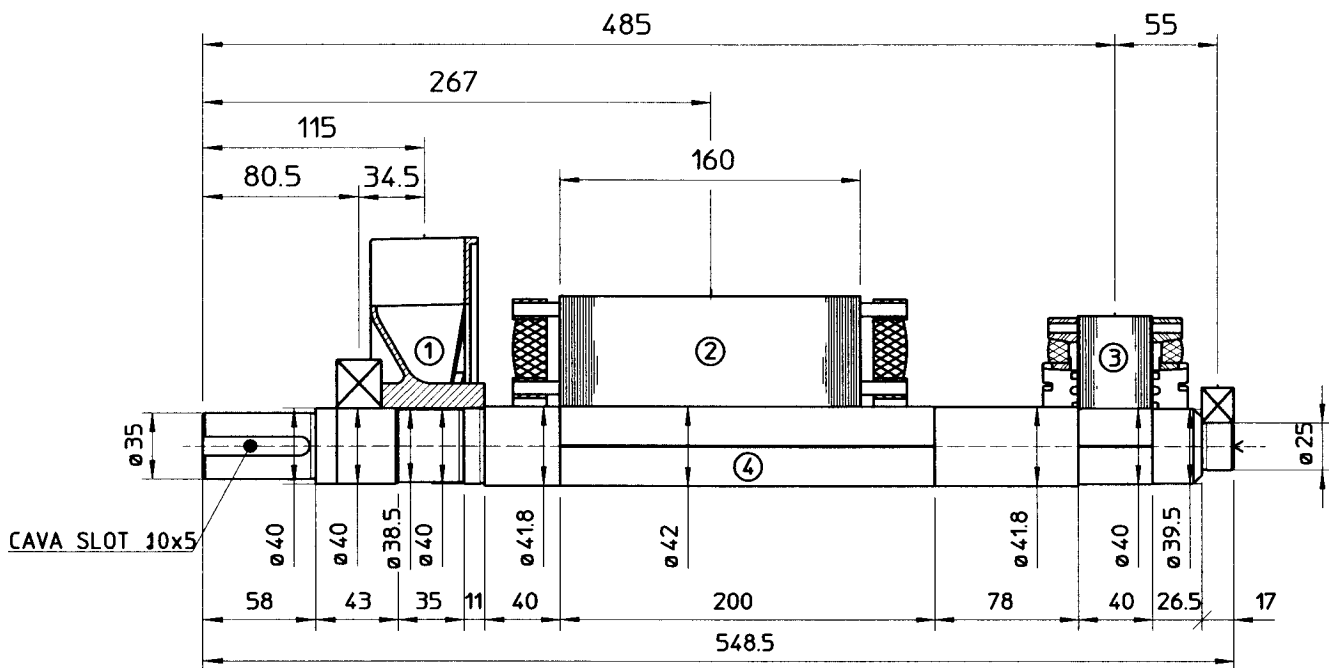
All technical data are to be considered as a reference and they can be modified without any notice
This document is a propriety of Mecc Alte S.p.a.. All rights reserved.

60 Hz



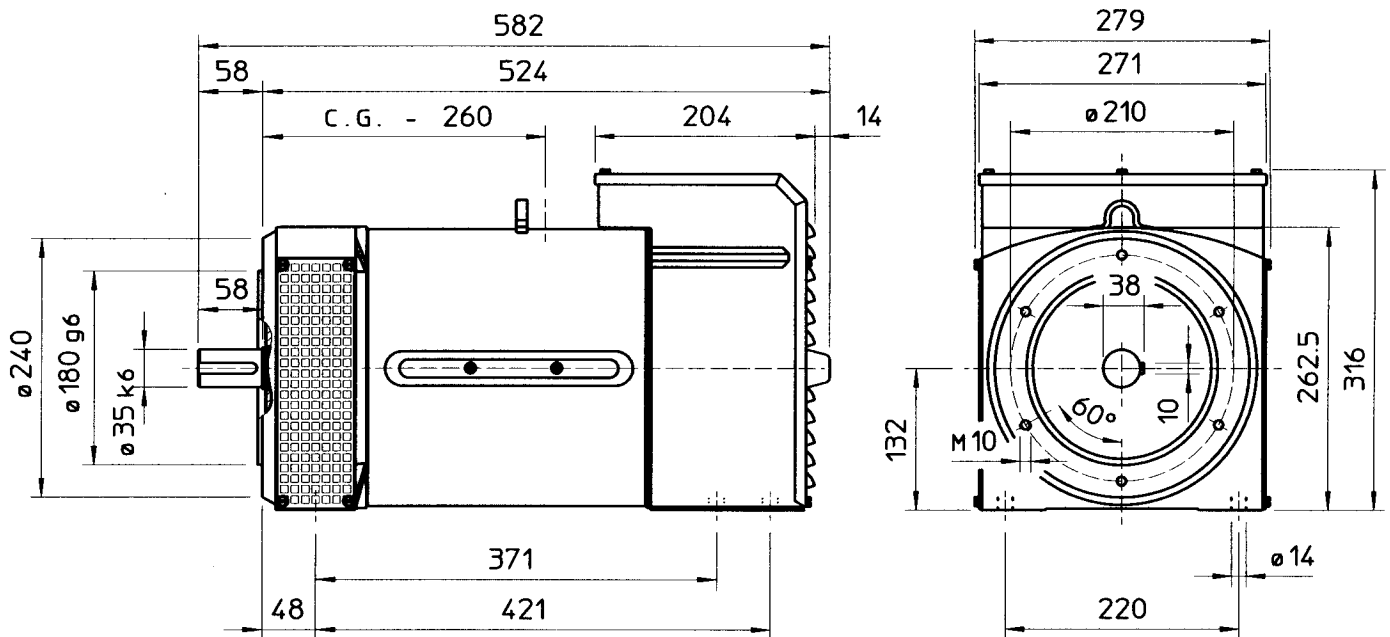
All technical data are to be considered as a reference and they can be modified without any notice
 This document is a propriety of Mecc Alte S.p.a.. All rights reserved.

TWO BEARING MOMENTS OF INERTIA

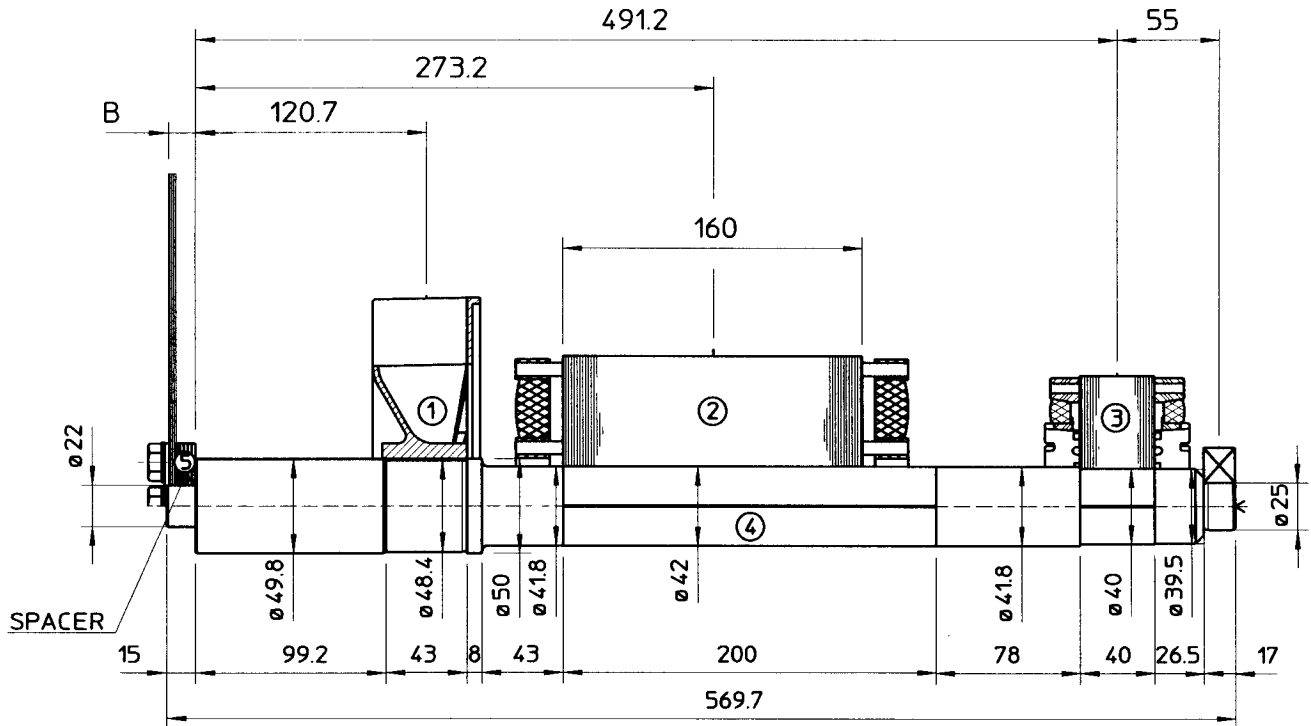


COMPONENT	WEIGHT Kg	J Kg ^{m²}
1 FAN	0.93	0.0036
2 MAIN ROTOR	18	0.061
3 EX ROTOR	4.12	0.011
4 SHAFT	5.5	0.0011
6 TOTAL	28.55	0.0767

TWO BEARING DIMENSIONS



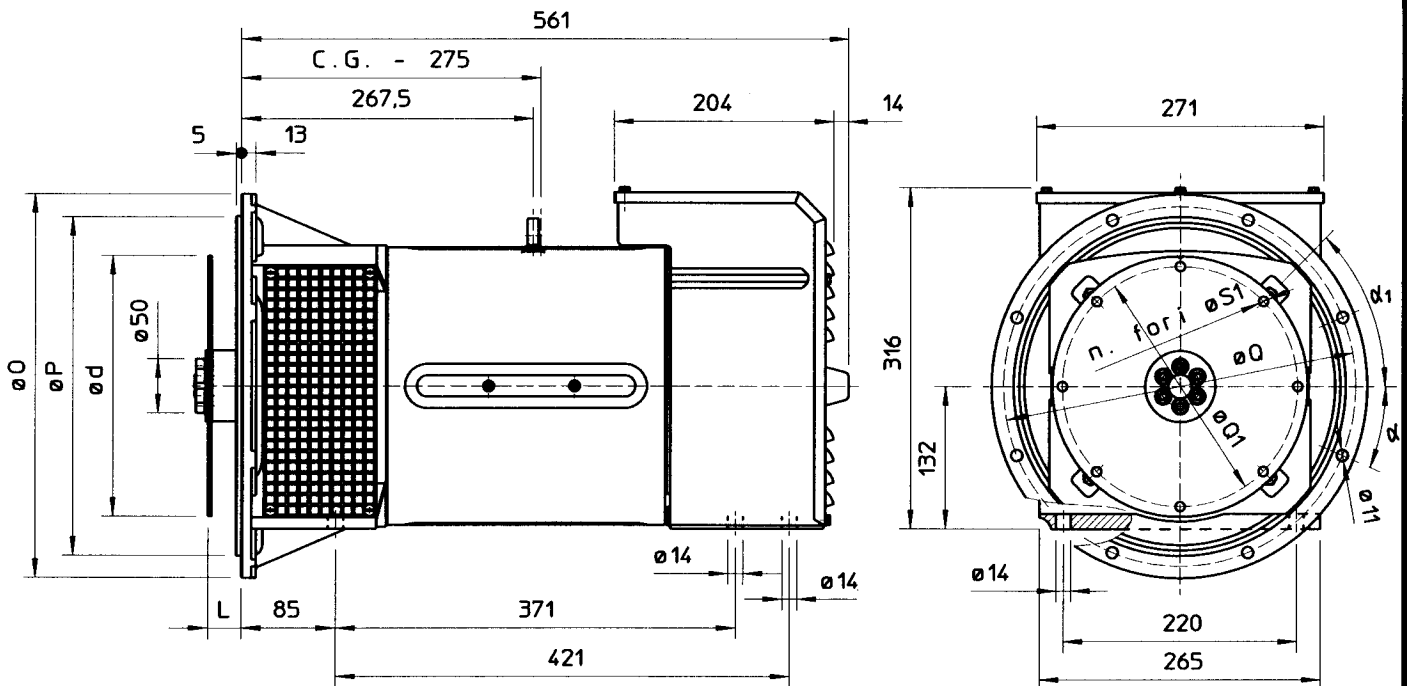
SINGLE BEARING MOMENTS OF INERTIA



COMPONENT	WEIGHT Kg	J Kg ^{m²}
1 FAN	0.82	0.0032
2 MAIN ROTOR	18	0.061
3 EX ROTOR	4.12	0.011
4 SHAFT	6.3	0.0013
6 TOTAL	29.24	0.0765

SAE N.	SHAFT COUPLING FLEX PLATE		
	B (mm)	WEIGHT kg	J kg ^{m²}
6 1/2	4	1.14	0.0067
7 1/2	4	1.42	0.0103
8	35.6	1.97	0.0171
10	27.6	2.59	0.0319
11 1/2	14	3.1	0.0481

SINGLE BEARING DIMENSIONS



GIUNTI A DISCO COUPLING DISC PLATEX
DISQUE DE MONOPALIER SCHEIBENKUPPLUNG
JUNTAS A DISCOS

FLANGIA FLANGE BRIDE FLANSCH BRIDAS	SAE N.	O	P	Q	n. for i	α
	6	308	266.7	285.75	8	22°30'
	5	356	314.3	333.4	8	22°30'
	4	403	362	381	12	15°
	3	451	409.6	428.6	12	15°

SAE N.	L	d	Q1	n. for i	S1	α_1
6 1/2	30.2	215.9	200	6	9	60°
7 1/2	30.2	241.3	222.25	8	9	45°
8	62	263.52	244.47	6	11	60°
10	53.8	314.32	295.27	8	11	45°
11 1/2	39.6	352.42	333.37	8	11	45°

C.G. = GRAVITY CENTER