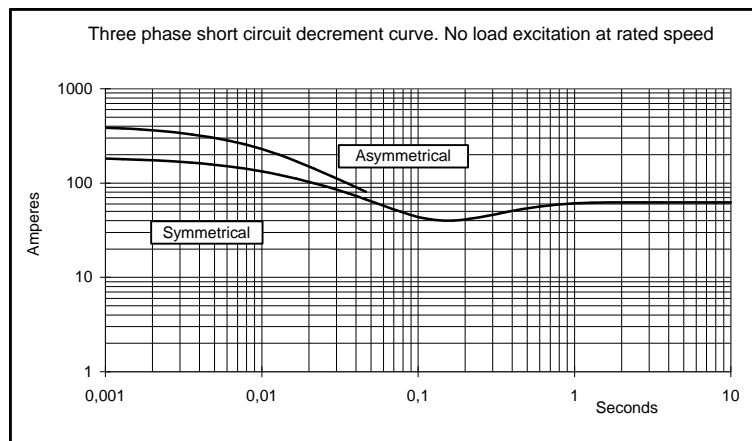
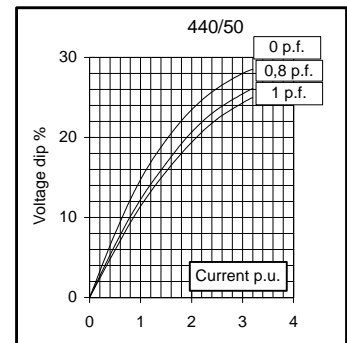
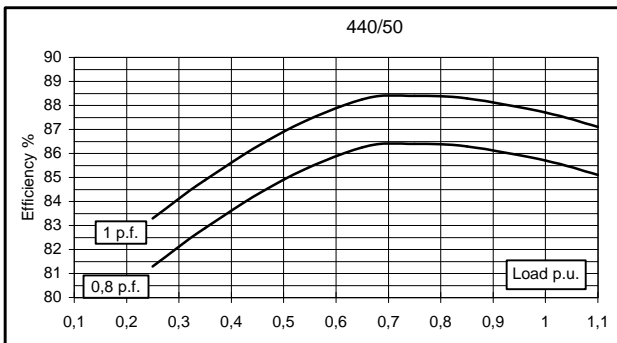
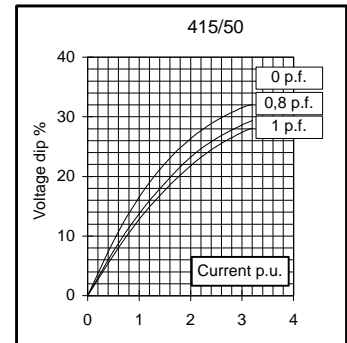
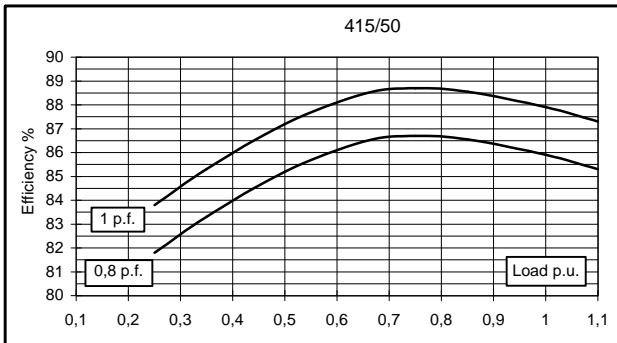
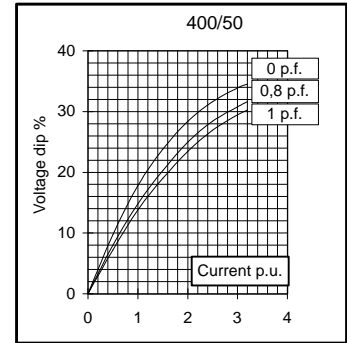
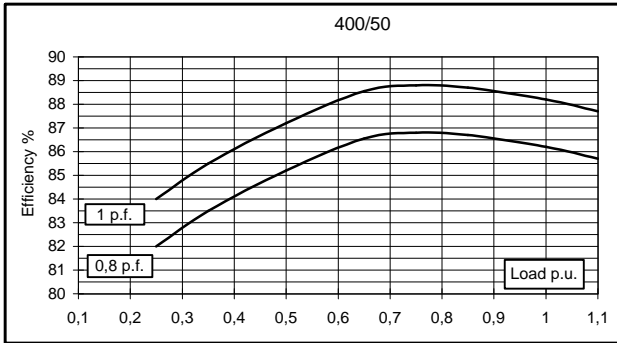
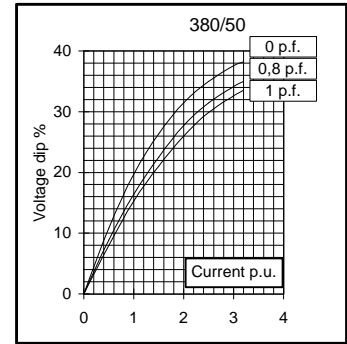
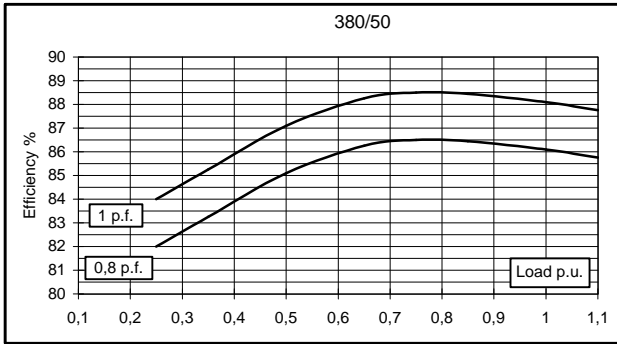


<b>Electrical Characteristics</b>										
Frequency	Hz	50				60				
Voltage (star)	V	380	400	415	440	415	440	460	480	
Rated power class H	kVA	13,5	13,5	13,5	11	14	16,2	16,2	16,2	
	kW	10,8	10,8	10,8	8,8	11,2	13	13	13	
Rated power class F	kVA	12,5	12,5	12,5	10	11,5	13,5	15	15	
	kW	10	10	10	8	9,2	10,8	12	12	
Regulation with	SR7/2	±1,5 % with any power factor and speed variations between -5% +30%								
Insulation class		H								
Execution		Brushless								
Stator winding		6 ends								
Rotor		without damping cage								
Efficiencies class H (see graph. for details)	4/4	%	86,1	86,2	85,9	85,7	87,3	87,8	87,9	88
	3/4	%	86,5	86,8	86,7	86,4	87,5	87,7	87,9	88,1
	2/4	%	85,1	85,2	85,2	84,9	85,9	86	86,1	86,2
	1/4	%	82	82	81,8	81,3	82,8	82,6	82,7	83
Reactances (f. l.cl. F)	Xd	%	161,9	146,1	135,7	98,4	168,9	173,9	159,1	146
	Xd'	%	16,18	14,6	13,56	9,83	16,88	17,38	15,90	14,6
	Xd''	%	11,41	10,3	9,57	6,94	11,91	12,26	11,22	10,3
	Xq	%	80,9	73	67,8	49,2	84,4	86,9	79,5	73
	Xq'	%	80,9	73	67,8	49,2	84,4	86,9	79,5	73
	Xq''	%	60,2	54,3	50,4	36,6	62,8	64,6	59,1	54,3
	X <sub>2</sub>	%	19,39	17,5	16,26	11,78	20,23	20,83	19,05	17,5
	X <sub>0</sub>	%	6,43	5,8	5,39	3,91	6,71	6,90	6,32	5,8
Short Circuit Ratio	Kcc		0,80	0,92	1,13	1,50	0,67	0,75	0,80	0,92
Time Constants	Td'	sec.	0,046							
	Td''	sec.	0,01							
	Tdo'	sec.	0,86							
	Tα	sec.	0,011							
Short Circuit Current Capacity	%	>300				>320				
Excitation at no load	Amp.	0,3	0,35	0,4	0,47	0,22	0,25	0,3	0,32	
Excitation at full load	Amp.	1,1	1,2	1,3	1,4	0,95	1	1,1	1,15	
Overload (long-term)	%	1 hour in a 6 hours period 110% rated load								
Overload per 20 sec.	%	300								
Stator Winding Resistance (20°C)	Ω	0,662								
Rotor Winding Resistance (20°C)	Ω	10,08								
Exciter Resistance (20 °C)	Ω	Rotor : 1,453				Stator : 15,71				
Heat dissipation at f.l.cl.H	W	1744	1729	1773	1468	1629	1801	1784	1767	
Telephone Interference		THF < 2%				TIF < 45				
Radio interference		EN50081-1, EN50082-1, VDE 0875K. For others standards apply to factory								
Waveform Distors.(THD) at f. load	LL/LN %	2,2 / 2,0								
Waveform Distors.(THD) at no load	LL/LN %	2,8 / 2,7								
<b>Mechanical characteristics</b>										
Protection		IP 23 (other protection on request)								
DE bearing		6308-2RS								
NDE bearing		6305-2RS								
Weight of wound stator assembly	kg	26,7								
Weight of wound rotor assembly	kg	14,5								
Weight of complete generator	kg	87								
Maximun overspeed	rpm	2250								
Unbalanced magnetic pull at f.l.cl.F	kN/mm	3								
Cooling air requirement	m³/min	3				3,5				
Inertia Constant (H)	sec.	0,085				0,102				
Noise level at 1m/7m	dB(A)	72 / 58				78 / 60				

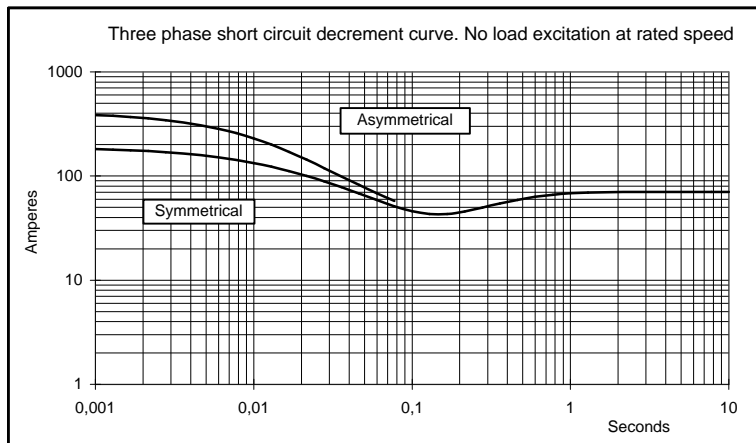
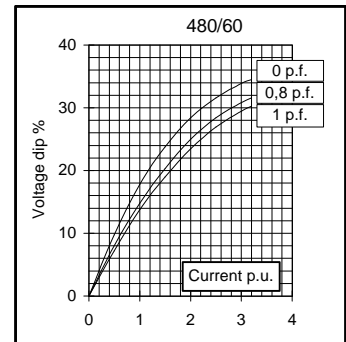
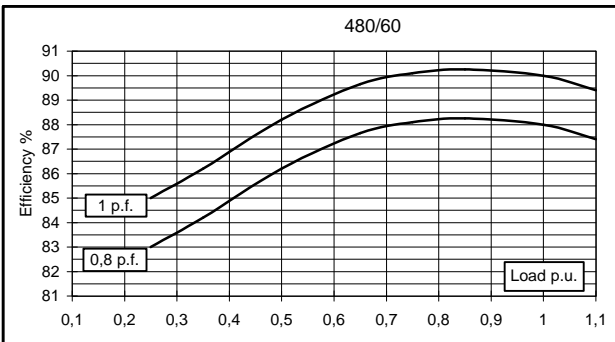
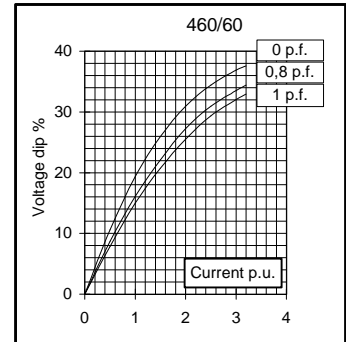
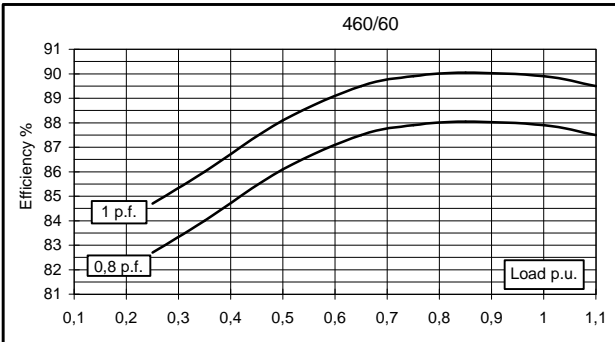
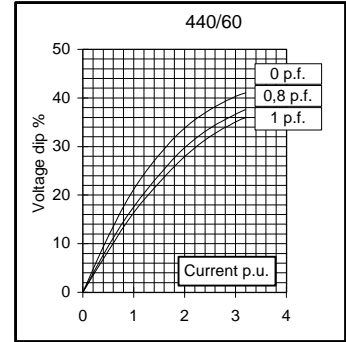
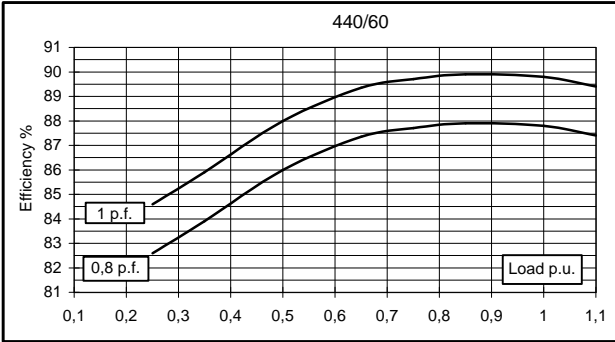
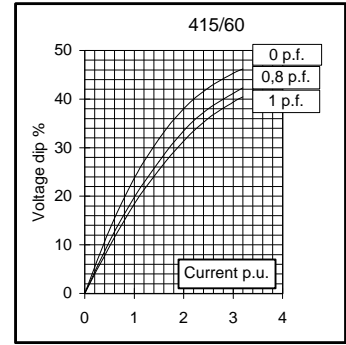
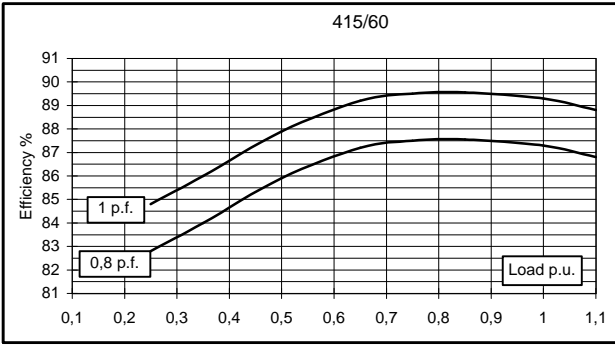
All technical data are to be considered as a reference and they can be modified without any notice

This document is a propriety of Mecc Alte S.p.a..All rights reserved.

**50 Hz**

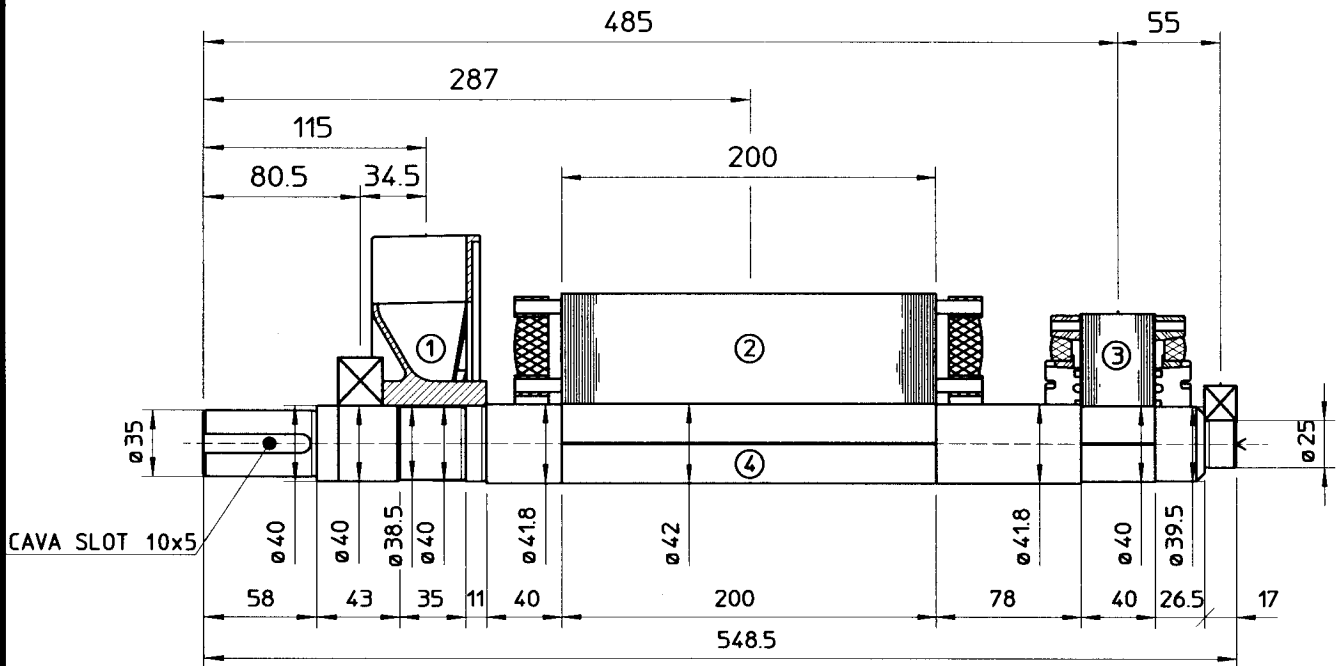


**60 Hz**



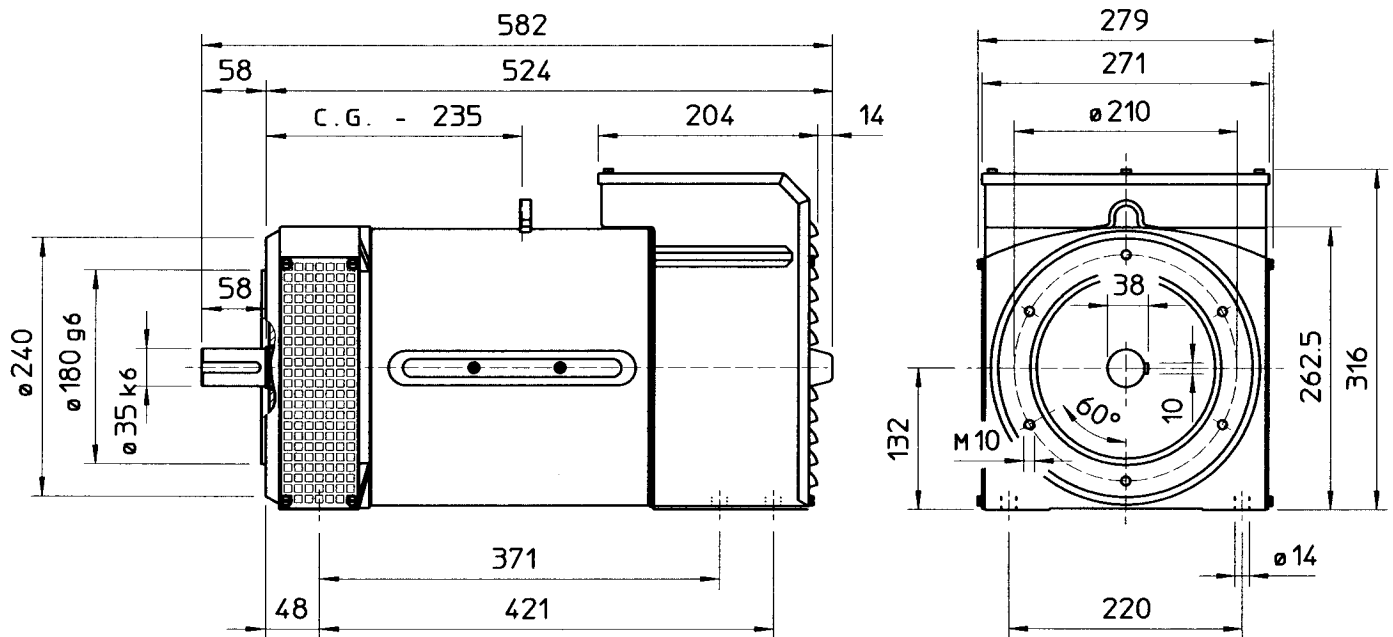
All technical data are to be considered as a reference and they can be modified without any notice  
 This document is a propriety of Mecc Alte S.p.a.. All rights reserved.

## TWO BEARING MOMENTS OF INERTIA

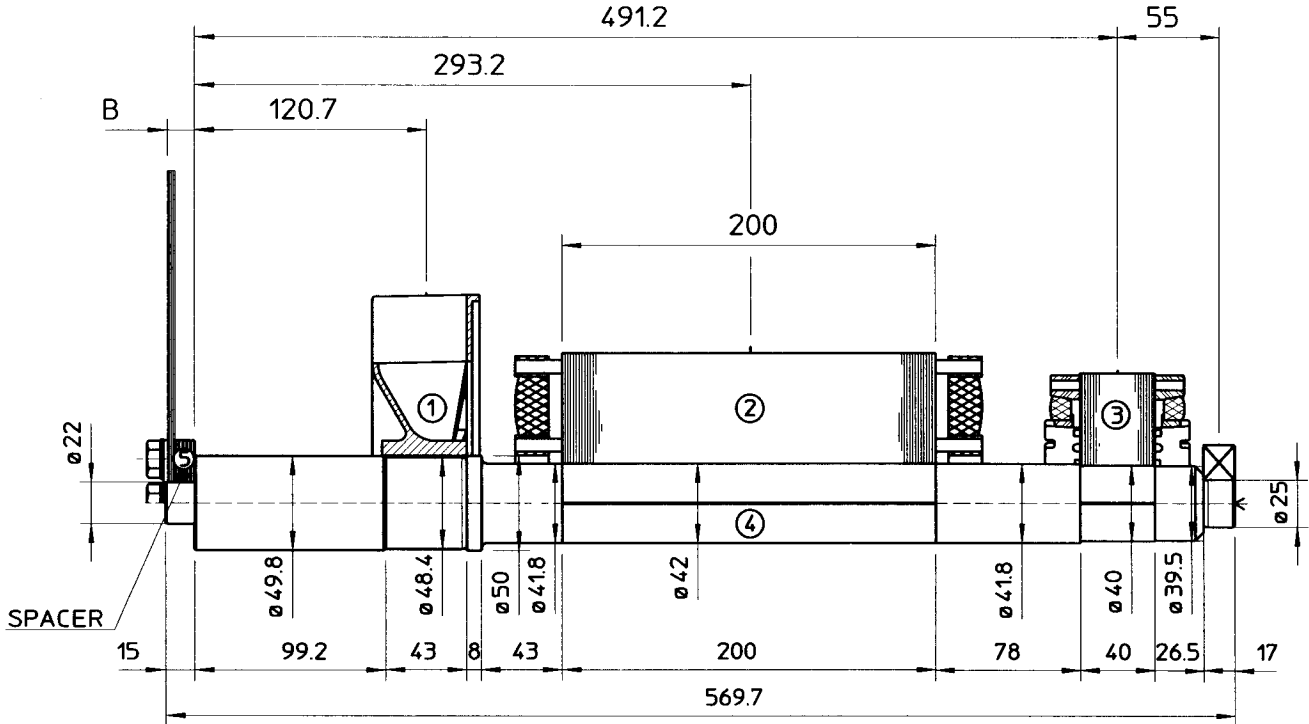


COMPONENT	WEIGHT Kg	J Kg <sup>m</sup> <sup>2</sup>
1 FAN	0.93	0.0036
2 MAIN ROTOR	22.9	0.077
3 EX ROTOR	4.12	0.011
4 SHAFT	5.5	0.0011
6 TOTAL	33.45	0.0927

## TWO BEARING DIMENSIONS



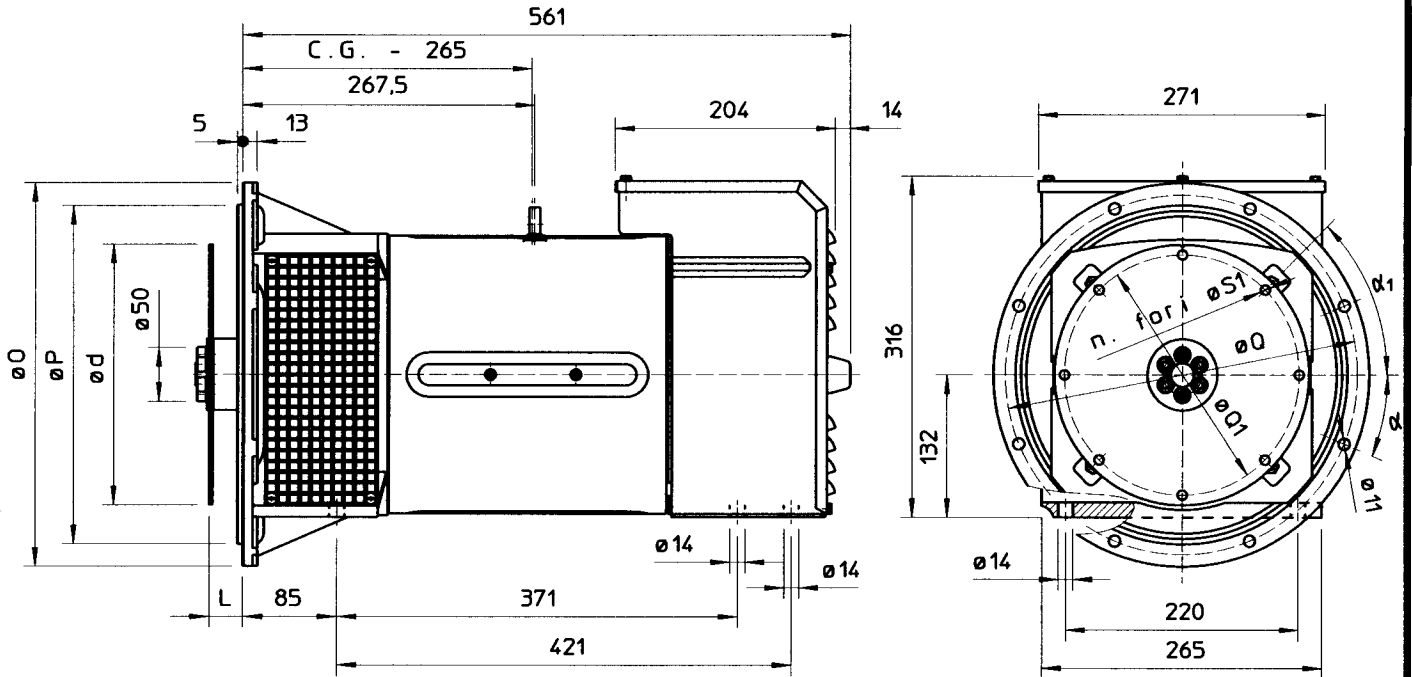
# SINGLE BEARING MOMENTS OF INERTIA



COMPONENT	WEIGHT Kg	J Kg <sup>m²</sup>
1 FAN	0.82	0.0032
2 MAIN ROTOR	22.9	0.077
3 EX ROTOR	4.12	0.011
4 SHAFT	6.3	0.0013
6 TOTAL	34.14	0.0925

SAE N.	SHAFT COUPLING FLEX PLATE		
	B (mm)	WEIGHT kg	J kg <sup>m²</sup>
6 1/2	4	1.14	0.0067
7 1/2	4	1.42	0.0103
8	35.6	1.97	0.0171
10	27.6	2.59	0.0319
11 1/2	14	3.1	0.0481

# SINGLE BEARING DIMENSIONS



GIUNTI A DISCO COUPLING DISC PLATEX  
DISQUE DE MONOPALIER SCHEIBENKUPPLUNG  
JUNTAS A DISCOS

FLANGIA FLANGE BRIDE FLANSCH BRIDAS	SAE N.	O	P	Q	n. for i	α
	6	308	266.7	285.75	8	22°30'
	5	356	314.3	333.4	8	22°30'
	4	403	362	381	12	15°
	3	451	409.6	428.6	12	15°

SAE N.	L	d	Q1	n. for i	S1	α1
6 1/2	30.2	215.9	200	6	9	60°
7 1/2	30.2	241.3	222.25	8	9	45°
8	62	263.52	244.47	6	11	60°
10	53.8	314.32	295.27	8	11	45°
11 1/2	39.6	352.42	333.37	8	11	45°

C.G. = GRAVITY CENTER