

KS

Alternatori sincroni monofasi
a 2 e 4 poli autoregolati
senza spazzole
Protezione: IP 21
Tensione standard: 115/230 V - 50 Hz
Corrente di cortocircuito superiore a 3 In
Forme costruttive: IM B34 - B3/B14, IM B35
B3/B9, IM B35 - J609b, SAE 3, SAE 4, SAE 5

Single-phase synchronous
self-regulated brushless
2 and 4 poles alternators.
Protection: IP 21
Standard voltage: 115/230 V - 50 Hz
Short circuit current greater than 3 In
Shape: IM B34 - B3/B14, IM B35
B3/B9, IM B35 - J609b, SAE 3, SAE 4, SAE 5



Caratteristiche tecniche 2 poli / Technical characteristics 2 poles

Tipo Type	Codice Code	50 Hz - 3000 r.p.m.		60 Hz - 3600 r.p.m.		IM B34 • IM B35 Massa Mass kg	SAE 4 • SAE 5 SAE 3 Massa Mass kg
		Potenza Power kVA	η 4/4 $\cos\phi=1$ %	Potenza Power kVA	η 4/4 $\cos\phi=1$ %		
*KS 140 MM2 AL	80206145..2	15.0	79	18.5	80	70	86
*KS 140 MM2 BL	80206170..2	17.5	80	22.0	82	90	106
KS 140 LM2 AL	80206210..2	20.0	82	25.0	84	98	114
KS 140 LM2 BL	80206260..2	25.0	84	31.0	86	117	133

Caratteristiche tecniche 4 poli / Technical characteristics 4 poles

Tipo Type	Codice Code	50 Hz - 1500 r.p.m.		60 Hz - 1800 r.p.m.		IM B34 • IM B35 Massa Mass kg	SAE 4 • SAE 5 SAE 3 Massa Mass kg
		Potenza Power kVA	η 4/4 $\cos\phi=0.8$ %	Potenza Power kVA	η 4/4 $\cos\phi=0.8$ %		
*KS 140 MM4 BL	84604170..2	10.0	81	12.5	82	80	96
KS 140 LM4 AL	84604240..2	13.5	82	16.9	83	107	123
KS 140 LM4 BL	84604265..2	16.0	82	20.0	84	118	134

* Solo in SAE 3 • Only in SAE 3

GS

Alternatori sincroni trifasi
a 2 e 4 poli autoregolati
con spazzole
Protezione: IP 21
Tensione standard: 231/400 V - 50 Hz
Corrente di cortocircuito superiore a 3.5 In
Forme costruttive: IM B34 - B3/B14, IM B35
B3/B9, IM B35-J609b, SAE 3, SAE 4, SAE 5

Three-phase synchronous
self-regulated brushes
2 and 4 poles alternators.
Protection: IP 21
Standard voltage: 231/400 V - 50 Hz
Short circuit current greater than 3.5 In
Shape: IM B34 - B3/B14, IM B35
B3/B9, IM B35-J609b, SAE 3, SAE 4, SAE 5

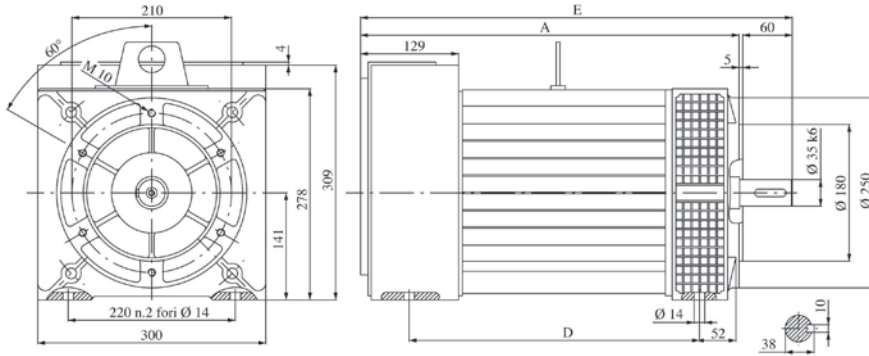
Caratteristiche tecniche 2 poli / Technical characteristics 2 poles

Tipo Type	Codice Code	50 Hz - 3000 r.p.m.		60 Hz - 3600 r.p.m.		IM B34 • IM B35 Massa Mass kg	SAE 3 • SAE 4 SAE 5 Massa Mass kg
		Potenza Power kVA	η 4/4 $\cos\phi=0.8$ %	Potenza Power kVA	η 4/4 $\cos\phi=0.8$ %		
*GS 140 MT2 A	80306145..2	22.0	83	27.5	84	76	92
*GS 140 MT2 B	80306170..2	27.0	85	34.0	86	86	102
GS 140 LT2 A	80306210..2	31.5	86	40.0	87	101	117
GS 140 LT2 B	80306260..2	38.0	88	47.5	89	122	138

Caratteristiche tecniche 4 poli / Technical characteristics 4 poles

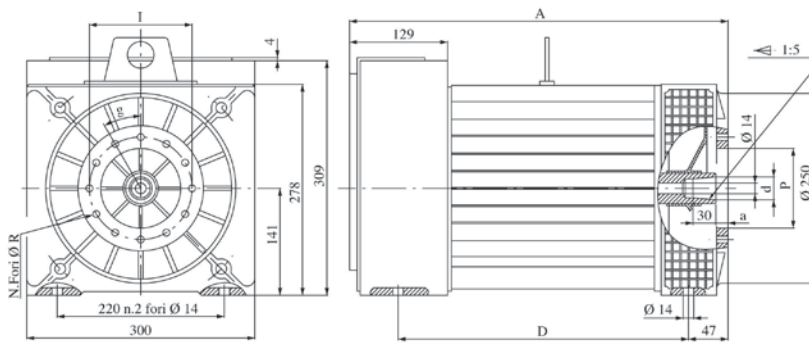
Tipo Type	Codice Code	50 Hz - 1500 r.p.m.		60 Hz - 1800 r.p.m.		IM B34 • IM B35 Massa Mass kg	SAE 3 • SAE 4 SAE 5 Massa Mass kg
		Potenza Power kVA	η 4/4 $\cos\phi=0.8$ %	Potenza Power kVA	η 4/4 $\cos\phi=0.8$ %		
*GS 140 MT4 B	80304170..2	16.0	82	20.0	83	88	104
GS 140 LT4 A	80304240..2	22.5	84	28.0	85	115	131
GS 140 LT4 B	80304265..2	27.0	85	34.0	86	125	141
GS 140 LT4 C	80304265..220	30.0	86	36.0	87	127	143

* Solo in SAE 3 • Only in SAE 3



Tipo Type	A	D	E
KS-L / GS-L	597	481	662

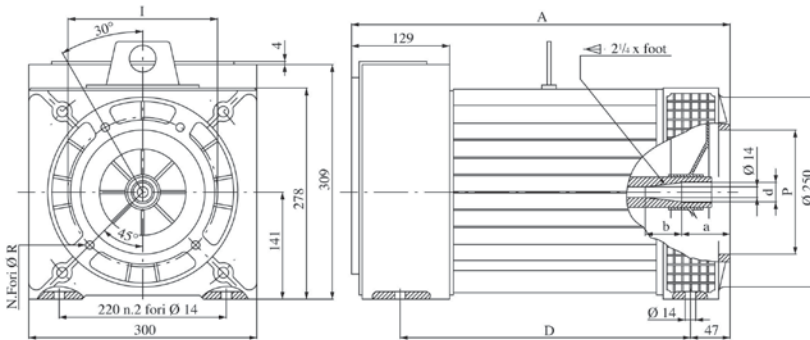
Forma costruttiva / Shape IM B34 - B3/B14 cod.E



Tipo Type	A	D
KS-L / GS-L	592	481

Albero Shaft	Flangia Flange				cod.		
d	a	I	p	N.Fori	R	g	
30	16	135	105	12	9	30°	B
38	5	150	125	4	12	90°	G

Forma costruttiva / Shape IM B35 - B3/B9 cod.B/G

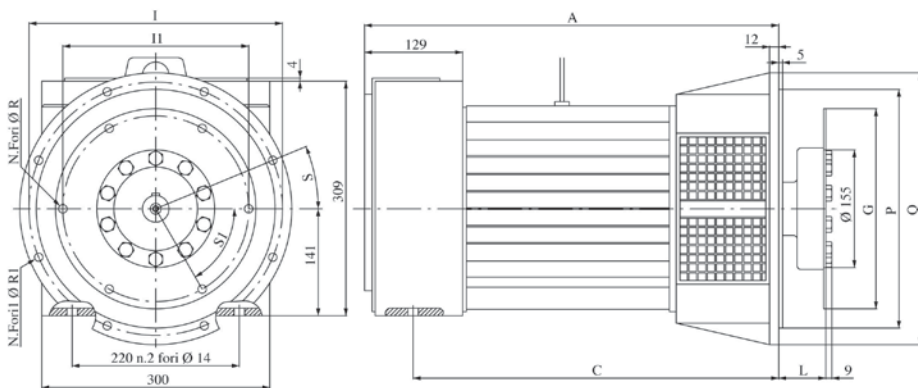


Tipo Type	A	D
KS-L / GS-L	592	481

Albero Shaft	cod.	
d	a	b
25.4	63.5	48
35	12.4	71

Flangia Flange			
I	p	N.Fori	R
165	146.1	4	11
197	163.6	4	11
197	177.8	4	11

Forma costruttiva / Shape IM B35 - J609b cod.D/F



Tipo Type	A	C
KS-M / GS-M	545	481
KS-L / GS-L	644	580

SAE	Flangia Flange				
Q	P	I	N.Fori	R1	S
3	452	409.6	428.6	12	11 15°
4	405	362	381	12	11 15°
5	358	314.3	333.4	8	11 22°30'

SAE	Giunto a dischi Disk joint				
L	G	II	N.Fori	R	S1
6.5	30.2	215.9	200	6	9 60°
7.5	30.2	241.3	222.2	8	9 45°
8	62	263.5	244.5	6	11 60°
10	53.8	314.3	295.3	8	11 45°
11.5	39.6	352.4	333.4	8	11 45°

Forma costruttiva / Shape SAE cod.3/4/5

