

EK

Generatori sincroni monofasi a 2 poli autoregolati senza spazzole (brushless).

Protezione: IP21; su richiesta IP23.

Tensione standard: 115/230 V - 50 Hz. A richiesta caricabatterie 12Vdc 10A.

Corrente di corto circuito: superiore a 3 In. Forme costruttive: IM B34 (B3/B14), IM B35 (B3/B9), IM B35-J609b, SAE 5-6 1/2, SAE 5-7 1/2.



Single-phase synchronous self-regulated brushless 2 poles alternators.

Protection: IP21; on request IP23.

Standard voltage: 115/230 V - 50 Hz. On request battery charger 12Vdc 10A.

Short circuit current: greater than 3 In.

Shape: IM B34 (B3/B14), IM B35 (B3/B9), IM B35-J609b, SAE 5-6 1/2, SAE 5-7 1/2.

Caratteristiche tecniche - Technical characteristics

TIPO TYPE	CODICE CODE	50 Hz - 3000 r.p.m.		60 Hz - 3600 r.p.m.		MASSA MASS IMB35 (kg)	DIMENSIONI D'INGOMBRO OVERALL DIMENSIONS							
		POTENZA POWER (kVA)	η 4/4 $\cos\phi=1$ (%)	POTENZA POWER (kVA)	η 4/4 $\cos\phi=1$ (%)		IMB34 - IMB35 J609a IMB35 c.23 - c.30				IMB35 J609b			
							A'	B	C	D	A1'	B1	C1	D1
EK 2 MCL	84201125-A-	5	79	6.5	81	25.9	365	69	315	283	381	85	331	283
EK 2 LAL	84201150-A-	6	79	7.5	80	30.5	420	124	370	338	436	140	386	338
EK 2 LBL	84201170-A-	7	80	8.8	83	33.0	420	124	370	338	436	140	386	338
EK 2 LCL	84201180-A-	8	81	10	83	34.7	420	124	370	338	436	140	386	338

ET

Generatori sincroni trifasi a 2 poli autoregolati a spazzole.

Protezione: IP21; su richiesta IP23.

Tensione standard: 231/400 V - 50 Hz.

Corrente di corto circuito: superiore a 3.5 In.

Forme costruttive: IM B34 (B3/B14), IM B35 (B3/B9), IM B35-J609b, SAE 5-6 1/2, SAE 5-7 1/2.



Three-phase synchronous self-regulated brush 2 poles alternators.

Protection: IP21; on request IP23.

Standard voltage: 231/400 V - 50 Hz.

Short circuit current: greater than 3.5 In.

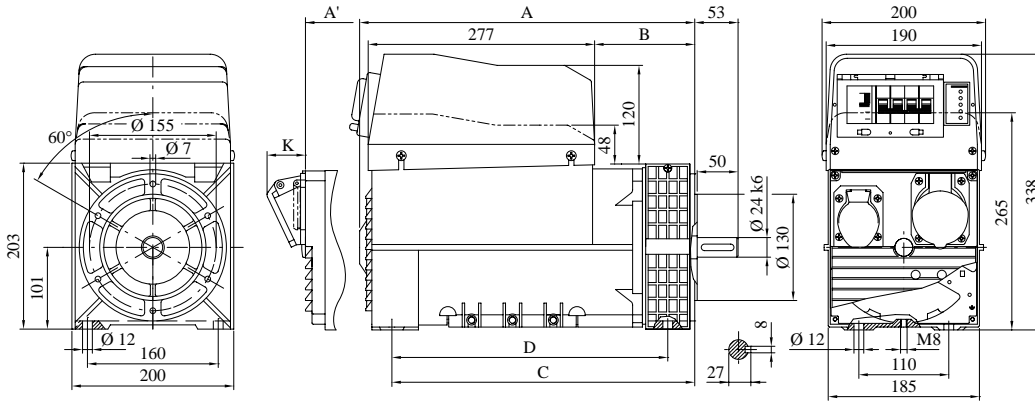
Shape: IM B34 (B3/B14), IM B35 (B3/B9), IM B35-J609b, SAE 5-6 1/2, SAE 5-7 1/2.

Caratteristiche tecniche - Technical characteristics

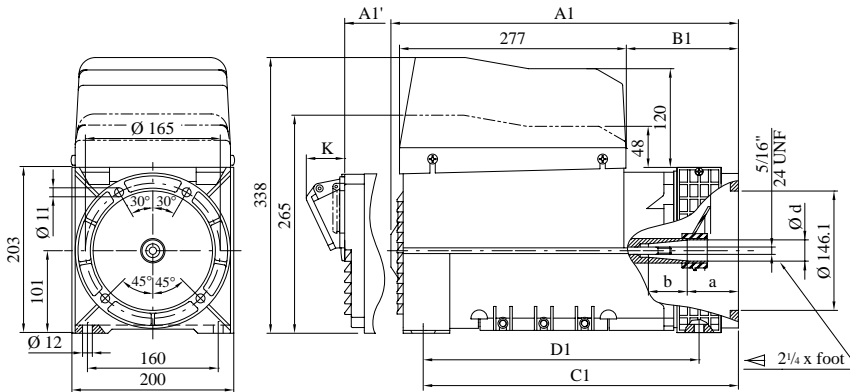
TIPO TYPE	CODICE CODE	50 Hz - 3000 r.p.m.		60 Hz - 3600 r.p.m.		MASSA MASS IMB35 (kg)	DIMENSIONI D'INGOMBRO OVERALL DIMENSIONS									
		POTENZA POWER (kVA)	η 4/4 $\cos\phi=0.8$ (%)	POTENZA POWER (kVA)	η 4/4 $\cos\phi=0.8$ (%)		IMB34 - IMB35 J609a IMB35 c.23 - c.30					IMB35 J609b				
							A	A'	B	C	D	A1	A1'	B1	C1	D1
ET2MAS	81301072-X2	4	73	5	73,5	25.1	358	365	69	315	283	374	381	85	331	283
ET2MBS	81301095-X2	5.5	75	6.9	76	28.3	358	365	69	315	283	374	381	85	331	283
ET2MCS	81301125-X2	7	78	9	79	32.3	358	365	69	315	283	374	381	85	331	283
ET2MCS	81301125-X203	7(3~) / 4(1~)	80	9(3~) / 5.2(1~)	81	32.5	358	365	69	315	283	374	381	85	331	283
ET2LAS	81301150-X2	8.5	81	10.5	82	36.8	413	420	124	370	338	429	436	140	386	338
ET2LBS	81301180-X2	10	83	13	84	41.2	413	420	124	370	338	429	436	140	386	338

SINCRO

FORMA COSTRUTTIVA - SHAPE:
IMB34 (B3/B14) cod. E



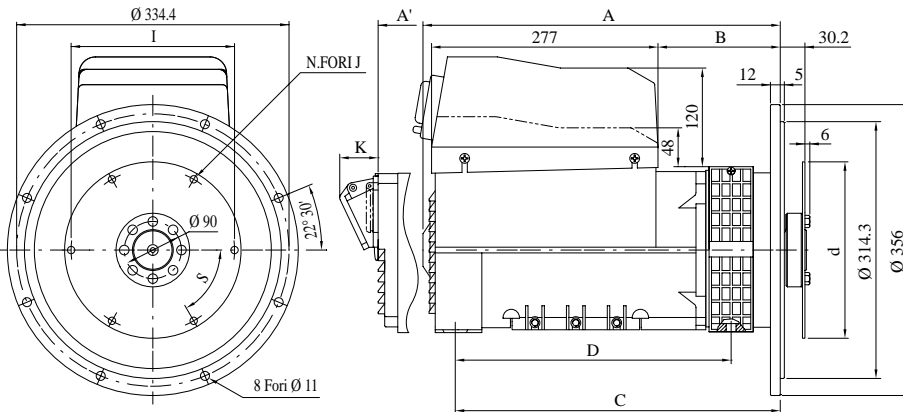
FORMA COSTRUTTIVA - SHAPE:
IMB35 - J609b cod. ...



Cono/Cone	d	a	b	cod.
22.14	22.14	81	32	D
25.4	25.4	63.5	49.5	D
35	30	39	72	F

	K
Prese Schuko / Schuko sockets	16
Prese CEE / CEE sockets	47

FORMA COSTRUTTIVA - SHAPE:
SAE 5

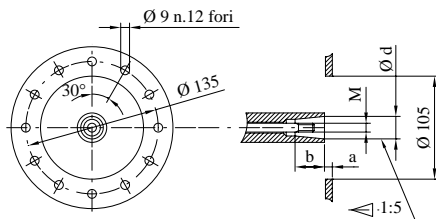


SAE	Giunto a dischi Disk joint					
	L	d	I	N.FORI	J	S
6.5	30.2	215.9	200	6	9	60°
7.5	30.2	241.3	222.2	8	9	45°

Tipo Type	Da - From IMB35 C.30				
	A	A'	B	C	D
EK2M--	-	377	81	327	283
ET2M--	370	377	81	327	283
EK2L--	-	432	136	382	338
ET2L--	425	432	136	382	338

Tipo Type	Da - From IMB35 J609b C.35				
	A	A'	B	C	D
EK2M--	-	393	97	343	283
ET2M--	386	393	97	343	283
EK2L--	-	448	152	398	338
ET2L--	441	448	152	398	338

FORMA COSTRUTTIVA - SHAPE:
IMB35 (B3/B9) cod. ...



d	a	b	M	cod.
23	8	30	M8	A
30	16	30	M14	B