

Saldatrici rotanti a corrente alternata.
 Protezione: IP21; su richiesta IP23.
 Tipo di elettrodi saldabili: rutile.
 Fornita di protezione termica autoripristinabile contro i sovraccarichi.
 Utilizzabile anche come alternatore monofase.
 Forme costruttive: IM B34 (B3/B14), IM B35 (B3/B9), IM B35-J609b, IM B35-J609a, SAE 5.



*Alternating-current rotating welders.
 Protection: IP21; on request IP23.
 Weldable electrodes: rutile.
 Supplied with autoresettable thermal breaker against overload.
 Can also be used as single phase alternator.
 Shape: IM B34 (B3/B14), IM B35 (B3/B9), IM B35-J609b, IM B35-J609a, SAE 5.*

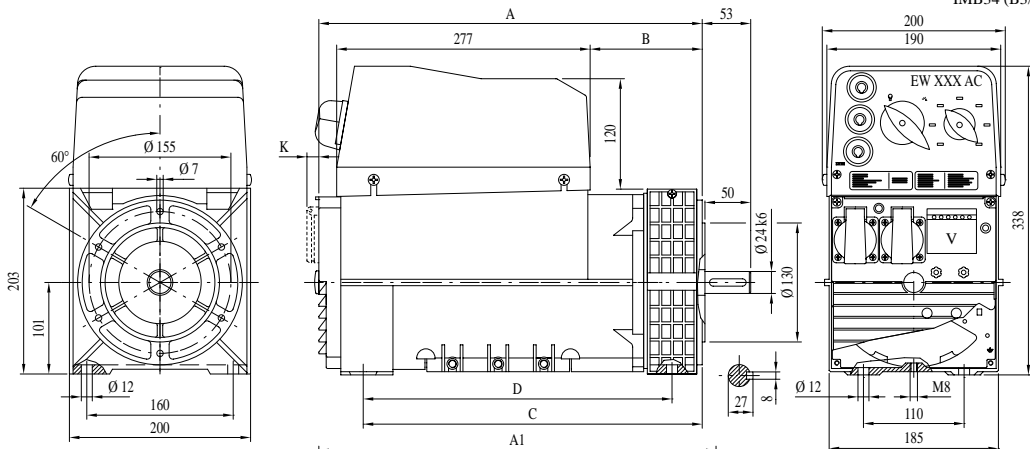
| Caratteristiche tecniche: Saldatrice - Technical characteristics: Welder | | | | | | | | |
|--|----------------|----------------------------|--------------------------------|---|--|---|---------------------|--|
| TIPO TYPE | CODICE CODE | VELOCITÀ SPEED (rpm) | MASSA MASS IMB35 (kg) | Corrente di saldatura Welding current (A) | Tensione di innesco Strike voltage (V) | Tensione di saldatura Welding voltage (V) | SERVIZIO DUTY | POTENZA ASSORBITA DRIVING POWER |
| EW 130 AC | 96101095.A1 | 3000 | 32 | 60÷130 | 50÷62.5 | 22.4÷25.2 | 130A-35% | 6kW - 8.5Hp |
| EW 180 AC | 96101125.A1 | 3000 | 37 | 60÷135 / 90÷160 | 50÷62.5 | 22.4÷25.4 / 23.6÷27.2 | 180A-35% / 125A-60% | 8kW - 11Hp |
| EW 200 AC | 96101180.A1 | 3000 | 42 | 60÷135 / 120÷200 | 45÷60 | 22.4÷25.4 / 24.8÷28 | 200A-35% / 180A-60% | 9kW - 12Hp |
| EW 140 AC | 96101095.E1 | 3600 | 32 | 60÷140 | 50÷62.5 | 22.4÷25.6 | 140A-35% | 6.5kW - 9Hp |
| EW 190 AC | 96101125.E1 | 3600 | 37 | 60÷135 / 100÷190 | 47.5÷60 | 22.4÷25.4 / 24÷27.6 | 190A-35% / 135A-60% | 9kW - 12Hp |
| EW 220 AC | 96101180.E1 | 3600 | 42 | 60÷135 / 120÷220 | 45÷60 | 22.4÷25.4 / 24.8÷28.8 | 220A-35% / 180A-60% | 9.5kW - 13Hp |

| Caratteristiche tecniche: Generatore monofase - Technical characteristics: Single phase alternator | | | | | | |
|--|----------------|----------------------------|-----------------------------------|--|--|--------------------------------|
| TIPO TYPE | CODICE CODE | VELOCITÀ SPEED (rpm) | POTENZA POWER (S1) (kVA) | TENSIONE (regolabile) VOLTAGE (adjustable) (V) | CORRENTE (Max. S1) CURRENT (Max. S1) (A) | FREQUENZA FREQUENCY (Hz) |
| EW 130 AC | 96101095.A1 | 3000 | 4 | 115 / 230 | 17.4 | 50 |
| EW 180 AC | 96101125.A1 | 3000 | 5 | 115 / 230 | 21.7 | 50 |
| EW 200 AC | 96101180.A1 | 3000 | 7 | 115 / 230 | 30.4 | 50 |
| EW 140 AC | 96101095.E1 | 3600 | 5 | 115 / 230 | 21.7 | 60 |
| EW 190 AC | 96101125.E1 | 3600 | 6 | 115 / 230 | 26.1 | 60 |
| EW 220 AC | 96101180.E1 | 3600 | 8 | 115 / 230 | 34.7 | 60 |

| Dimensioni - Dimensions | | | | | | | | |
|-------------------------|--|-----|-----|-----|---------------|-----|-----|-----|
| TIPO TYPE | IMB34 / IMB35 - J609a IMB35 (C.23 - C.30) | | | | IMB35 - J609b | | | |
| | A | B | C | D | A1 | B1 | C1 | D1 |
| EW 130 AC | 365 | 69 | 315 | 283 | 381 | 85 | 331 | 283 |
| EW 180 AC | 365 | 69 | 315 | 283 | 381 | 85 | 331 | 283 |
| EW 200 AC | 420 | 124 | 370 | 338 | 436 | 140 | 386 | 338 |
| EW 140 AC | 365 | 69 | 315 | 283 | 381 | 85 | 331 | 283 |
| EW 190 AC | 365 | 69 | 315 | 283 | 381 | 85 | 331 | 283 |
| EW 220 AC | 420 | 124 | 370 | 338 | 436 | 140 | 386 | 338 |

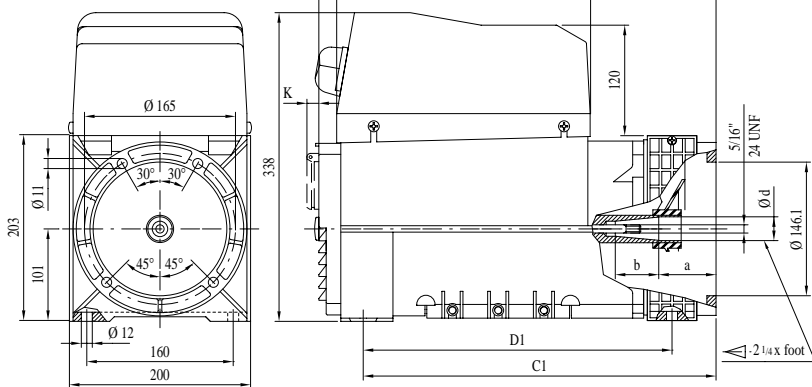
Dimensioni d'ingombro - Overall dimensions

FORMA COSTRUTTIVA - SHAPE:
IMB34 (B3/B14) cod. E



FORMA COSTRUTTIVA - SHAPE:
IMB35 - J609b cod. ...

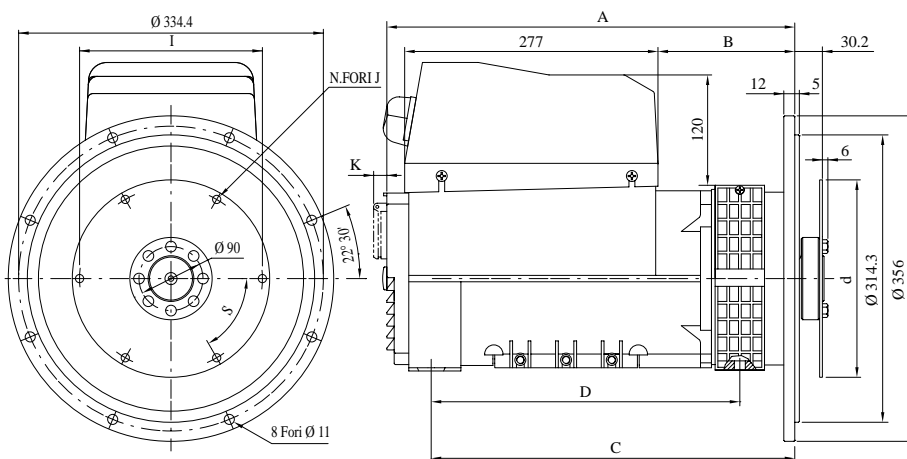
| Cono/Cone | d | a | b | cod. |
|-----------|-------|------|------|------|
| 22.14 | 22.14 | 81 | 32 | D |
| 25.4 | 25.4 | 63.5 | 49.5 | D |
| 35 | 30 | 39 | 72 | F |



| | K |
|-------------------------------|----|
| Prese Schuko / Schuko sockets | 16 |
| Prese CEE / CEE sockets | 47 |

FORMA COSTRUTTIVA - SHAPE:
SAE 5

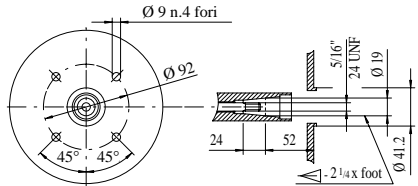
| SAE | Giunto a dischi Disk joint | | | | | |
|-----|-------------------------------|-------|-------|--------|---|-----|
| | L | d | I | N.FORI | J | S |
| 6.5 | 30.2 | 215.9 | 200 | 6 | 9 | 60° |
| 7.5 | 30.2 | 241.3 | 222.2 | 8 | 9 | 45° |



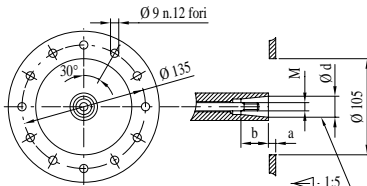
| Tipo Type | Da - From IMB35 C.30 | | | |
|-------------|-------------------------|-----|-----|-----|
| | A' | B | C | D |
| EW130-180AC | 377 | 81 | 327 | 283 |
| EW140-190AC | 377 | 81 | 327 | 283 |
| EW200AC | 432 | 136 | 382 | 338 |
| EW220AC | 432 | 136 | 382 | 338 |

| Tipo Type | Da - From IMB35 J609b C.35 | | | |
|-------------|-------------------------------|-----|-----|-----|
| | A' | B | C | D |
| EW130-180AC | 393 | 97 | 343 | 283 |
| EW140-190AC | 393 | 97 | 343 | 283 |
| EW200AC | 448 | 152 | 398 | 338 |
| EW220AC | 448 | 152 | 398 | 338 |

FORMA COSTRUTTIVA - SHAPE:
IMB35 - J609a cod. C



FORMA COSTRUTTIVA - SHAPE:
IMB35 (B3/B9) cod. ...



| d | a | b | M | cod. |
|----|----|----|-----|------|
| 23 | 8 | 30 | M8 | A |
| 30 | 16 | 30 | M14 | B |