

Saldatrici rotanti a corrente continua.  
 Protezione: IP21; a richiesta IP23.  
 Tipo di elettrodi saldabili: tutti i tipi, inclusi  
 basici e cellullosici.  
 Fornita di protezione termica autoripristinabile  
 contro i sovraccarichi.  
 Utilizzabile anche come alternatore.  
 Forme costruttive: IM B34 (B3/B14), IM B35  
 (B3/B9), IM B35-J609b, SAE 5.



*Direct-current rotating welders.  
 Protection: IP21; on request IP23.  
 Weldable electrodes: all types, included ba-  
 sic and cellulosic.  
 Supplied with autoresettable thermal breaker  
 against overload.  
 Can also be used as alternator.  
 Shape: IM B34 (B3/B14), IM B35 (B3/B9),  
 IM B35-J609b, SAE 5.*

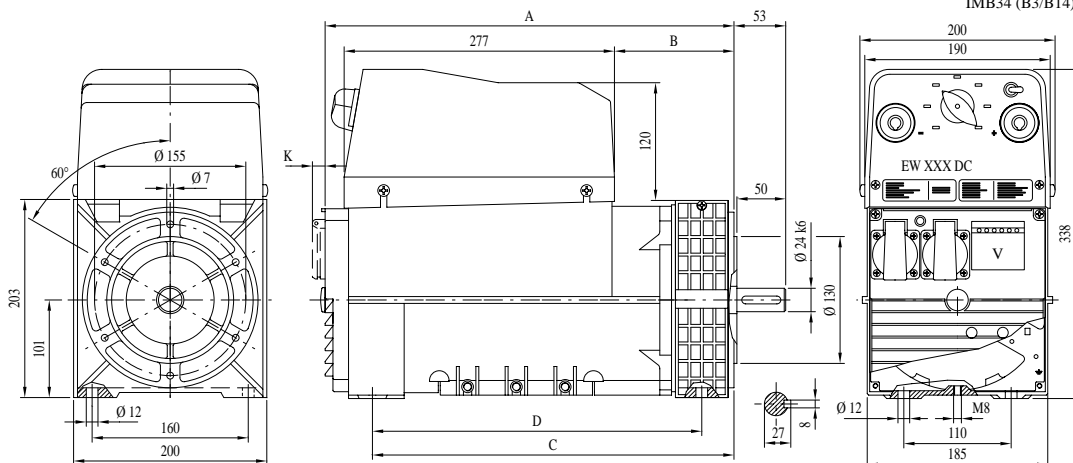
Caratteristiche tecniche: Saldatrice - Technical characteristics: Welder								
TIPO TYPE	CODICE CODE	VELOCITÀ SPEED (rpm)	MASSA MASS IM B35 (kg)	Corrente di saldatura (DC) Welding current (DC) (A)	Tensione di innesco Strike voltage (V)	Tensione di saldatura Welding voltage (V)	SERVIZIO DUTY	POTENZA ASSORBITA DRIVING POWER
EW 170 DC	96201125.A2	3000	34	45÷170	80	21.8÷26.6	170A-50%	7.5kW - 9.5Hp
EW 200 DC	96201180.A2	3000	43	50÷200	75	22÷28	200A-35% / 170A-60%	8.5kW - 11.5Hp
EW 220 DC	96301180.X2	3000	44	40÷220	73	21.5÷28.8	220A-35% / 170A-60%	9kW - 12.5Hp
EW 220 MDC	96201180.A206	3000	44	40÷220	76	21.6÷28.6	220A-35% / 170A-60%	9kW - 12.5Hp
EW 190 DC	96201125.F2	3600	34	50÷190	82	22÷27.6	190A-50%	8kW - 11Hp
EW 210 DC	96201180.F2	3600	43	50÷210	82	22÷28.4	210A-35% / 170A-60%	10kW - 13Hp
EW 240 MDC	96201180.F206	3600	43	50÷240	90	22÷29.6	240A-35% / 180A-60%	11kW - 15Hp

Caratteristiche tecniche: Generatore - Technical characteristics: Alternator									
TIPO TYPE	CODICE CODE	Trifase (cosφ=1) - Three phase (cosφ=1)				Monofase (cosφ=1) - Single phase (cosφ=1)			
		POTENZA POWER (S1) (kVA)	TENSIONE VOLTAGE (V)	CORRENTE (Max. S1) CURRENT (Max. S1) (A)	FREQUENZA FREQUENCY (Hz)	POTENZA POWER (S1) (kVA)	TENSIONE VOLTAGE (V)	CORRENTE (Max. S1) CURRENT (Max. S1) (A)	FREQUENZA FREQUENCY (Hz)
EW 170 DC	96201125.A2	---	---	---	---	3	115÷230	13÷26	50
EW 200 DC	96201180.A2	---	---	---	---	4	115÷230	17.4÷34.7	50
EW 220 DC	96301180.X2	6.5	400	9.4	50	3.5	231	15.2	50
EW 220 MDC	96201180.A206	---	---	---	---	5	115÷230	21.7÷43.5	50
EW 190 DC	96201125.F2	---	---	---	---	3.5	120÷240	14.6÷29.1	60
EW 210 DC	96201180.F2	---	---	---	---	4	120÷240	16.7÷33.3	60
EW 240 MDC	96201180.F206	---	---	---	---	5.5	120÷240	23÷46	60

Dimensioni - Dimensions								
TIPO TYPE	IMB34 IMB35 (C.23 - C.30)				IMB35 - J609b			
	A	B	C	D	A1	B1	C1	D1
EW 170 DC	365	69	315	283	381	85	331	283
EW 200 DC	420	124	370	338	436	140	386	338
EW 220 DC	420	124	370	338	436	140	386	338
EW 220 MDC	420	124	370	338	436	140	386	338
EW 190 DC	365	69	315	283	381	85	331	283
EW 210 DC	420	124	370	338	436	140	386	338
EW 240 MDC	420	124	370	338	436	140	386	338

Dimensioni d'ingombro - Overall dimensions

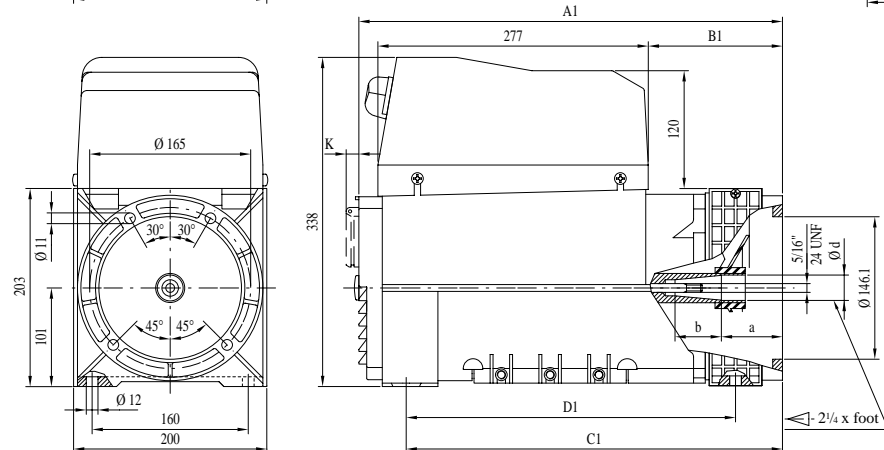
FORMA COSTRUTTIVA - SHAPE:  
IMB34 (B3/B14) cod. E



FORMA COSTRUTTIVA - SHAPE:  
IMB35 - J609b cod. ...

Cono/Cone	d	a	b	cod.
22.14	22.14	81	32	D
25.4	25.4	63.5	49.5	D
35	30	39	72	F

	K
Prese Schuko / Schuko sockets	16
Prese CEE / CEE sockets	47

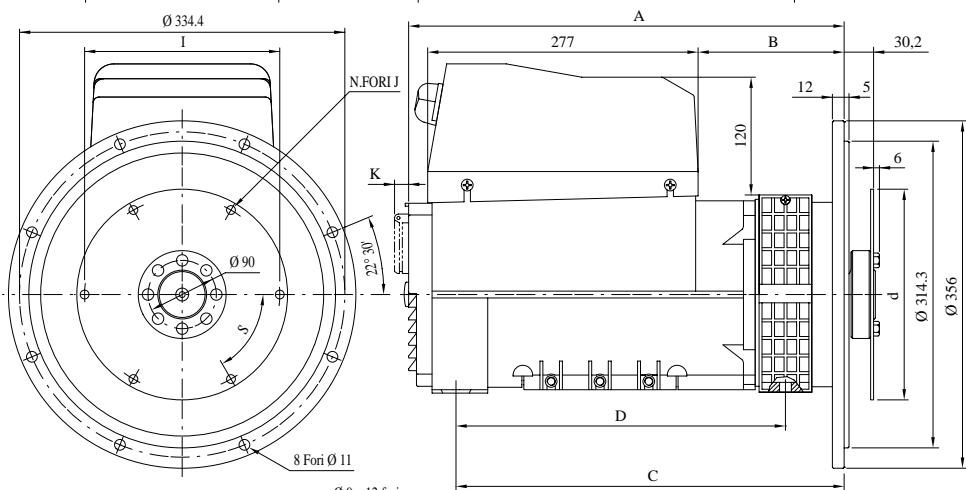


FORMA COSTRUTTIVA - SHAPE:  
SAE 5

SAE	Giunto a dischi Disk joint					
	L	d	I	N.FORI	J	S
6.5	30.2	215.9	200	6	9	60°
7.5	30.2	241.3	222.2	8	9	45°

Tipo Type	Da - From IMB35 C.30			
	A'	B	C	D
EW170DC	377	81	327	283
EW190DC	377	81	327	283
EW200-220(M)DC	432	136	382	338
EW210-240(M)DC	432	136	382	338

Tipo Type	Da - From IMB35 J609b C.35			
	A'	B	C	D
EW170DC	393	97	343	283
EW190DC	393	97	343	283
EW200-220(M)DC	448	152	398	338
EW210-240(M)DC	448	152	398	338



FORMA COSTRUTTIVA - SHAPE:  
IMB35 (B3/B9) cod. ...

d	a	b	M	cod.
23	8	30	M8	A
30	16	30	M14	B

