



Generatori sincroni monofasi a 2 e 4 poli autoregolati senza spazzole (brushless). Protezione: IP21. Tensione standard: 115/230 V - 50 Hz. Corrente di corto circuito: superiore a 3 In. Forme costruttive: IM B34 (B3/B14), IM B35 (B3/B9), IM B35-J609b, SAE 3, SAE 4, SAE 5.

Single-phase synchronous self-regulated brushless 2 and 4 poles alternators. Protection: IP21. Standard voltage: 115/230 V - 50 Hz. Short circuit current: greater than 3 In. Shape: IM B34 (B3/B14), IM B35 (B3/B9), IM B35-J609b, SAE 3, SAE 4, SAE 5.

Caratteristiche tecniche 2 poli - Technical characteristics 2 poles							
TIPO TYPE	CODICE CODE	50 Hz - 3000 r.p.m.		60 Hz - 3600 r.p.m.		MASSA MASS	
		POTENZA POWER (kVA)	η 4/4 $\cos\phi=1$ (%)	POTENZA POWER (kVA)	η 4/4 $\cos\phi=1$ (%)	B35/B34 (kg)	B2SAE (kg)
* KS140 M M2 AL	80206145..2	15	79	18.5	80	70	86
* KS140 M M2 BL	80206170..2	17.5	80	22	82	90	106
KS140 L M2 AL	80206210..2	20	82	25	84	98	114
KS140 L M2 BL	80206260..2	25	84	31	86	117	133

Caratteristiche tecniche 4 poli - Technical characteristics 4 poles							
TIPO TYPE	CODICE CODE	50 Hz - 1500 r.p.m.		60 Hz - 1800 r.p.m.		MASSA MASS	
		POTENZA POWER (kVA)	η 4/4 $\cos\phi=0.8$ (%)	POTENZA POWER (kVA)	η 4/4 $\cos\phi=0.8$ (%)	B35/B34 (kg)	B2SAE (kg)
* KS140 M M4 AL	84604145..2	8	80	10	81	69	85
* KS140 M M4 BL	84604170..2	10	81	12.5	82	80	96
KS140 L M4 AL	84604240..2	13.5	82	16.9	83	107	123
KS140 L M4 BL	84604265..2	16	82	20	84	118	134

* Solo in SAE 3 - Only in SAE 3



Generatori sincroni trifasi a 2 e 4 poli autoregolati a spazzole. Protezione: IP21. Tensione standard: 231/400 V - 50 Hz. Corrente di corto circuito: superiore a 3.5 In. Forme costruttive: IM B34 (B3/B14), IM B35 (B3/B9), IM B35-J609b, SAE 3, SAE 4, SAE 5.

Three-phase synchronous self-regulated brush 2 and 4 poles alternators. Protection: IP21. Standard voltage: 231/400 V - 50 Hz. Short circuit current: greater than 3.5 In. Shape: IM B34 (B3/B14), IM B35 (B3/B9), IM B35-J609b, SAE 3, SAE 4, SAE 5.

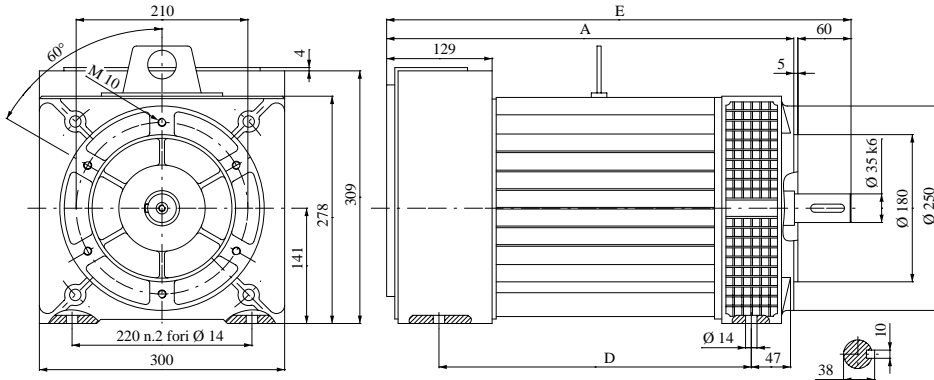
Caratteristiche tecniche 2 poli - Technical characteristics 2 poles									
TIPO TYPE	CODICE CODE	50 Hz - 3000 r.p.m.			60 Hz - 3600 r.p.m.			MASSA MASS	
		POTENZA POWER (kVA)	η 4/4 $\cos\phi=0.8$ (kW)	η 4/4 $\cos\phi=0.8$ (%)	POTENZA POWER (kVA)	η 4/4 $\cos\phi=0.8$ (kW)	η 4/4 $\cos\phi=0.8$ (%)	B35/B34 (kg)	B2SAE (kg)
* GS 140 MT2 A	80306145..2	22	18	83	27.5	22	84	76	92
* GS 140 MT2 B	80306170..2	27	21.6	85	34	27	86	86	102
GS 140 LT2 A	80306210..2	31.5	25.2	86	40	31.5	87	101	117
GS 140 LT2 B	80306260..2	38	30.4	88	47.5	38	89	122	138

Caratteristiche tecniche 4 poli - Technical characteristics 4 poles									
TIPO TYPE	CODICE CODE	50 Hz - 1500 r.p.m.			60 Hz - 1800 r.p.m.			MASSA MASS	
		POTENZA POWER (kVA)	η 4/4 $\cos\phi=0.8$ (kW)	η 4/4 $\cos\phi=0.8$ (%)	POTENZA POWER (kVA)	η 4/4 $\cos\phi=0.8$ (kW)	η 4/4 $\cos\phi=0.8$ (%)	B35/B34 (kg)	B2SAE (kg)
* GS 140 MT4 A	80304145..2	13.5	10.8	80	16.9	13.5	81	77	93
* GS 140 MT4 B	80304170..2	16	12.8	82	20	16	83	88	104
GS 140 LT4 A	80304240..2	22.5	18	84	28	22.5	85	115	131
GS 140 LT4 B	80304265..2	27	21.6	85	34	27	86	125	141
GS 140 LT4 C	80304265..220	30	24	86	36	29	87	127	143

* Solo in SAE 3 - Only in SAE 3

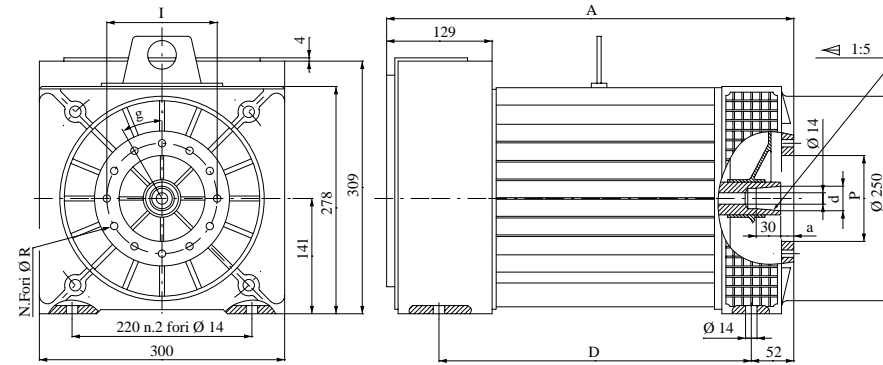


Dimensioni d'ingombro - Overall dimensions



FORMA COSTRUTTIVA - SHAPE:
IMB34 (B3/B14) cod. E

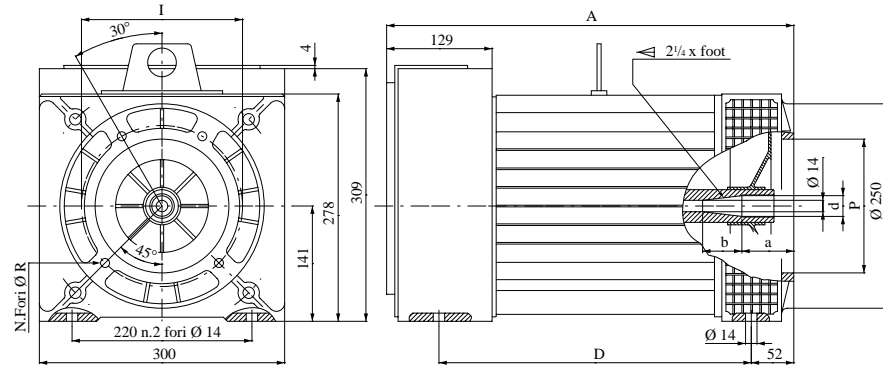
Tipo Type	A	D	E
KS-L / GS-L	597	481	662



FORMA COSTRUTTIVA - SHAPE:
IMB35 (B3/B9) cod. ...

Tipo Type	A	D
KS-L / GS-L	592	481

Albero Shaft		Flangia Flange				cod.
d	a	I	p	N.Fori	R	g
30	16	135	105	12	9	30° B
38	5	150	125	4	12	90° G

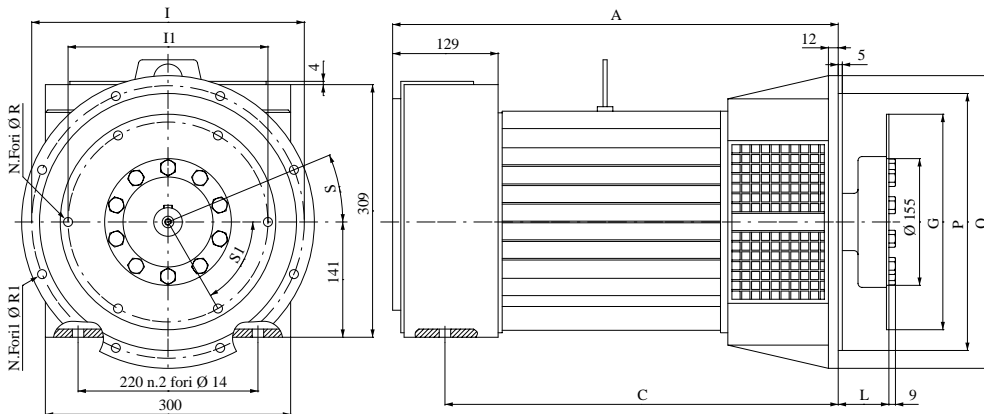


FORMA COSTRUTTIVA - SHAPE:
IMB35 - J609b cod. ...

Tipo Type	A	D
KS-L / GS-L	592	481

Albero Shaft		cod.
d	a	b
25,4	63,5	48 D
35	12,4	71 F

Flangia Flange			
I	p	N.Fori	R
165	146.1	4	11
197	163.6	4	11
197	177.8	4	11



FORMA COSTRUTTIVA - SHAPE:
SAE

Tipo Type	A	C
KS-M / GS-M	545	481
KS-L / GS-L	644	580

SAE	Flangia Flange					
	Q	P	I	N.Fori	R1	S
3	452	409.6	428.6	12	11	15°
4	405	362	381	12	11	15°
5	358	314.3	333.4	8	11	22°30'

SAE	Giunto a dischi Disk joint					
	L	G	I1	N.Fori	R	S1
6.5	30.2	215.9	200	6	9	60°
7.5	30.2	241.3	222.2	8	9	45°
8	62	263.5	244.5	6	11	60°
10	53.8	314.3	295.3	8	11	45°
11.5	39.6	352.4	333.4	8	11	45°