



## Generatori a Cardano 2 e 4Poli

2 and 4 Pole PTO Generator Sets  
Generadores a Cardan 2 y 4 Polos



### TW

#### trifase, a spazzole e compound

three phase brush generator with compound  
trifasicos, con escobillas y compound

### TRW

#### trifase, a spazzole, con AVR

three phase brush generator with AVR  
trifasicos, con escobillas y AVR

### TBW

#### trifase, brushless, con AVR

three phase brushless generator with AVR  
trifasicos, sin escobillas, con AVR

### TW

**Tensione standard:**  
50Hz: 230/400V, 240/415V  
Altri valori a richiesta

Caratteristiche tecniche 

**Classe d'isolamento:** H

**Protezione:** IP 23  
optional: cofanatura protettiva IP44  
(con riduzione della Potenza nominale)

**T.H.D.:** ≤ 5% (TW100, TW112 )  
≤ 4% (TW132)

**Precisione tensione:** ± 5% (cosφ = 0,9)

**Elevata capacità di spunto** (Icc = 3÷4In)

#### Quadro elettrico:

Standard (IP 44):  
1 presa trifase, 1 presa monofase,  
interruttore magnetotermico-differenziale,  
voltmetro, frequenzimetro (optional: contaore,  
amperometro, relè MIN/MAX tensione)  
Eco (IP 23): (solo TW100, TW112)  
1 presa trifase, 1 presa monofase,  
interruttore magnetotermico-differenziale,  
frequenzimetro

**Standard Voltage:**  
50Hz: 230/400V, 240/415V  
Other voltages on request

Technical characteristics 

**Insulation class:** H

**Protection:** IP 23  
optional: IP44 protective covering  
(with reduction of rated output)

**T.H.D.:** ≤ 5% (TW100, TW112)  
≤ 4% (TW132)

**Voltage accuracy:** ± 5% (cosφ = 0,9)

**High starting capacity** (Icc = 3÷4In)

#### Electrical panel:

Standard (IP 44):  
1 three-phase socket, 1 single-phase  
socket, RCCB with overcurrent trip, voltmeter,  
frequency meter (optional: hour counter,  
ammeter, MIN/MAX voltage relay)  
Eco (IP 23): (only TW100, TW112)  
1 three-phase socket, 1 single-phase socket,  
residual current circuit breaker with  
overcurrent trip, frequency meter

**Tension estandard:**  
50Hz: 230/400V, 240/415V  
Otros valores bajo pedido

Características técnicas 

**Clase de aislamiento:** H

**Protección:** IP 23  
optional: cubierta de protección IP44  
(se necesita reduccion de la potencia)

**T.H.D.:** ≤ 5% (TW100, TW112 )  
≤ 4% (TW132)

**Precision de la tension:** ± 5% (cosφ = 0,9)

**Elevada corriente de arranque** (Icc = 3÷4In)

#### Cuadro electrico:

Standard (IP 44):  
1 toma trifasica, 1 toma monofasica, interruptor  
magneto-térmico diferencial, voltímetro,  
frecuencímetro (optional: cuentahoras,  
amperímetro, relé de MIN/MAX tension)  
Eco (IP 23): (solo TW100, TW112)  
1 toma trifasica, 1 toma monofasica,  
interruptor magneto-térmico diferencial,  
frecuencímetro

### TBW , TRW

**Tensione standard:**  
TBW: 50Hz, 12 fili brushless  
TRW: 50Hz: range 230÷240/400÷415V  
Altri valori a richiesta

Caratteristiche tecniche 

**Classe d'isolamento:** H

**Protezione:** IP 23  
optional: cofanatura protettiva IP44  
(con riduzione della Potenza nominale)

**T.H.D.:** ≤ 2% (TBW)  
≤ 5% (TRW)

**Precisione tensione:** (independent dal cosφ)  
± 0,5% (TBW)  
± 1,5% (TRW)

**Buona capacità di spunto** (Icc ≥ 3In)

#### Quadro elettrico:

Standard (IP 44):  
1 presa trifase, 1 presa monofase,  
interruttore magnetotermico-differenziale,  
voltmetro, frequenzimetro (optional: contaore,  
amperometro, relè MIN/MAX tensione)  
Eco (IP 23): (solo TRW100, TRW112)  
1 presa trifase, 1 presa monofase,  
interruttore magnetotermico-differenziale,  
frequenzimetro

#### Regolatore elettronico di tensione AVR:

- permette di adattare il funzionamento del generatore alle diverse condizioni di utilizzo
- Possibilità di regolare la tensione a distanza

**Standard Voltage:**  
TBW: 50Hz, 12 wires brushless  
TRW: 50Hz: range 230÷240/400÷415V  
Other voltages on request

Technical characteristics 

**Insulation class:** H

**Protection:** IP 23  
optional: IP44 protective covering  
(with reduction of rated output)

**T.H.D.:** ≤ 2% (TBW)  
≤ 5% (TRW)

**Voltage accuracy:** (regardless of cosφ)  
± 0,5% (TBW)  
± 1,5% (TRW)

**Good starting capacity** (Icc ≥ 3In)

#### Electrical panel:

Standard (IP 44):  
1 three-phase socket, 1 single-phase  
socket, RCCB with overcurrent trip, voltmeter,  
frequency meter (optional: hour counter,  
ammeter, MIN/MAX voltage relay)  
Eco (IP 23): (only TRW100, TRW112)  
1 three-phase socket, 1 single-phase socket,  
residual current circuit breaker with  
overcurrent trip, frequency meter

#### AVR electronic voltage regulator

- allows to adapt the generator working to the different operating conditions
- Possibility of voltage remote adjustment

**Tension estandard:**  
TBW: 50Hz, 12 cables brushless  
TRW: 50Hz: range 230÷240/400÷415V  
Otros valores bajo pedido

Características técnicas 

**Clase de aislamiento:** H

**Protección:** IP 23  
optional: cubierta de protección IP44  
(se necesita reduccion de la potencia)

**T.H.D.:** ≤ 2% (TBW)  
≤ 5% (TRW)

**Precision de la tension:** (sin depender de cosφ)  
± 0,5% (TBW)  
± 1,5% (TRW)

**Buena corriente de arranque** (Icc ≥ 3In)

#### Cuadro electrico:

Standard (IP 44):  
1 toma trifasica, 1 toma monofasica, interruptor  
magneto-térmico diferencial, voltímetro,  
frecuencímetro (optional: cuentahoras,  
amperímetro, relé de MIN/MAX tension)  
Eco (IP 23): (solo TRW100, TRW112)  
1 toma trifasica, 1 toma monofasica,  
interruptor magneto-térmico diferencial,  
frecuencímetro

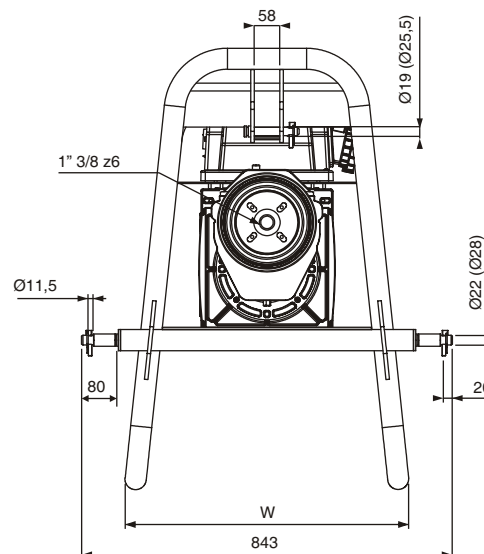
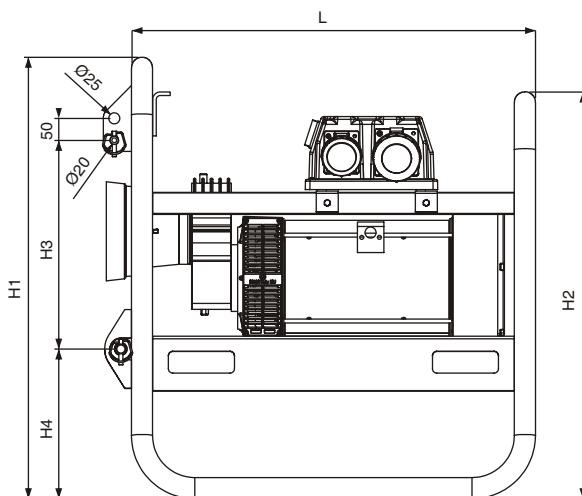
#### Regulador electrónico AVR 860

- permite adaptar el funcionamiento del generador a las diferentes condiciones de uso
- Posibilidad de regulación de la tensión a distancia

	alternatore   alternator   alternador						trattore   tractor   tractor			Peso Weight Peso	Telaio Frame Bastidor
	Potenza Output Power Potencia		frequenza frequency frecuencia	giri/min rpm rpm	Potenza assorbita Driving Power Potencia absorbida		giri/min rpm rpm	Potenza consigliata Advised Power Potencia aconsejada			
	3~ cosφ0,8 [kVA]	1~ λ cosφ1 [kVA]	[Hz]		4/4 cosφ0,8 [kW]	η%	[PTO]	[kW]	[hp]		
TW 100 LB	10,0	5,0	50	3000	9,5	84	430	18	25	98	S
TW 112 SA/2	12,0	6,0	50	3000	11,7	82	435	22	30	123	S
TW 112 SB/2	13,5	7,0	50	3000	13,0	83	435	26	35	128	S
TW 112 SC/2	16,0	8,0	50	3000	15,2	84	435	29	40	134	S
TW 112 MA/2	20,0	10,0	50	3000	18,6	86	435	37	50	160	M
TW 112 MC/2	25,0	12,0	50	3000	23,1	86,5	435	44	60	166	M
TW 132 XSA/4	8,0	3,2	50	1500	8,0	80	430	15	20	144	M
TW 132 XSB/4	10,0	4,0	50	1500	9,9	81	430	18	25	150	M
TW 132 SA/4	13,0	5,0	50	1500	12,5	83	430	26	35	160	M
TW 132 SB/4	16,0	6,5	50	1500	15,2	84	430	29	40	169	M
TW 132 MA/4	20,0	8,0	50	1500	18,6	86	430	37	50	186	M
TW 132 LA/4	25,0	10,0	50	1500	23,1	86,5	430	44	60	204	M
TW 132 LB/4	30,0	12,0	50	1500	27,6	87	430	51	70	216	M
TRW 100 LB	10,0	5,0	50	3000	9,4	85	430	18	25	94	S
TRW 112 SB/2	13,0	6,5	50	3000	12,4	84	435	26	35	124	S
TRW 112 SC/2	15,0	7,5	50	3000	14,1	85	435	29	40	130	S
TRW 112 MA/2	20,0	10,0	50	3000	18,6	86	435	37	50	156	M
TRW 132 SA/4	13,0	5,0	50	1500	12,5	83	430	26	35	156	M
TRW 132 SB/4	15,0	6,0	50	1500	14,3	84	430	29	40	165	M
TRW 132 MA/4	20,0	8,0	50	1500	18,6	86	430	37	50	182	M
TRW 132 LB/4	27,0	11,0	50	1500	24,8	87	430	48	65	212	M
TBW 200 SA/4	42,0	----	50	1500	38,0	88,5	395	74	100	385	L
TBW 200 SB/4	48,0	----	50	1500	43,3	88,7	395	88	120	390	L
TBW 200 MA/4	62,0	----	50	1500	55,0	90,1	395	103	140	430	L
TBW 200 MB/4	72,0	----	50	1500	63,6	90,5	395	118	160	470	L

## DISEGNI D'INGOMBRO

### Overall Dimensions Dimensiones



	telaio   frame bastidor		
	S	M	L
L	746	958	1110
W	583	645	727
H1	958	1003	1322
H2	873	924	1270
H3	460	474	474
H4	340	340	500

Dati tecnici non impegnativi: NSM si riserva il diritto di apportare modifiche senza l'obbligo di darne preventiva comunicazione. Technical data not binding: NSM reserves the right to modify the contents without prior notice. Datos tecnicos sin compromiso: NSM se reserva el derecho de aportar modificaciones sin la obligacion de previo aviso.