

# EA07

## Self Excited Half Wave Rectified Type Automatic Voltage Regulator

Suitable for Single or Three Phase Self Excited Brushless Generator

Maximum Output 6A

Compatible with Mecc Alte Spa AVR model SR7-1 and SR7-2

### Features

- Wide sensing voltage range 80 – 350 Vac
- Wide power input range 80 – 270 Vac, accepts power input from main winding or auxiliary winding
- Under frequency protection indication LED
- Over excitation protection and indication LED
- EMI suppression

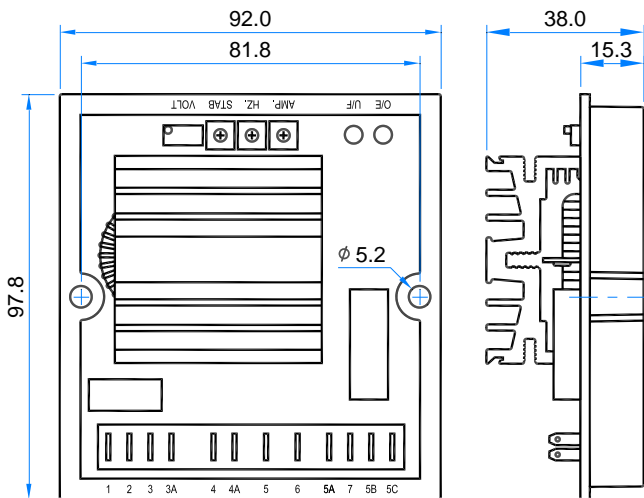


\*All manufacturer names, numbers, symbols and descriptions are used for reference purpose only and do not imply that any part is the product of these manufacturer.

### Specifications

<b>Sensing Input</b>	80 – 350 Vac 1 phase 50/60 Hz	<b>Unit Power Dissipation</b>	Max. 5 watts
<b>Power Input</b>	Voltage 50 – 270 Vac 50/60 Hz	<b>Over Excitation Protection</b>	40 – Max. Vdc @ 0.3 – 20 seconds
<b>Output</b>	Voltage 63 Vdc @ 220 Vac input	<b>Under Frequency Protection</b>	Adjustable range 42 – 60 Hz
	Current Continuous 6A	<b>Exciter Winding Resistance</b>	DC Resistance 10 – 100 ohms
	Max. Intermittent 7A for 10 seconds	<b>Environment</b>	Operating Temperature -40 to +65 °C
<b>Volts Regulation</b>	< +/- 1% (with 4% engine governing)		Storage Temperature -40 to +80 °C
<b>Build Up Voltage</b>	Residual voltage above 5 Vac 25 Hz		Relative Humidity Max. 95%
<b>EMI Suppression</b>	Internal electromagnetic interference filtering		Vibration 1.5Gs @ 5 – 30 Hz
<b>External Volts Adjustment</b>	Max. +/-7% @ 100k ohms 1/2 watt potentiometer		5.0Gs @ 30 – 500 Hz

### Mechanical Specifications



Unit : mm

### AVR Control Functions

<b>VOLT</b>	Voltage adjustment
<b>STAB</b>	Stability adjustment
<b>HZ.</b>	Under frequency setting
<b>AMP.</b>	Over excitation setting
<b>O/E</b>	Under frequency protection
<b>U/F</b>	Over excitation indication LED

### Physical Specifications

<b>Dimension</b>	97.8 (L) x 92.0 (W) x 38.0 (H) mm
<b>Weight</b>	275 g +/-2%

