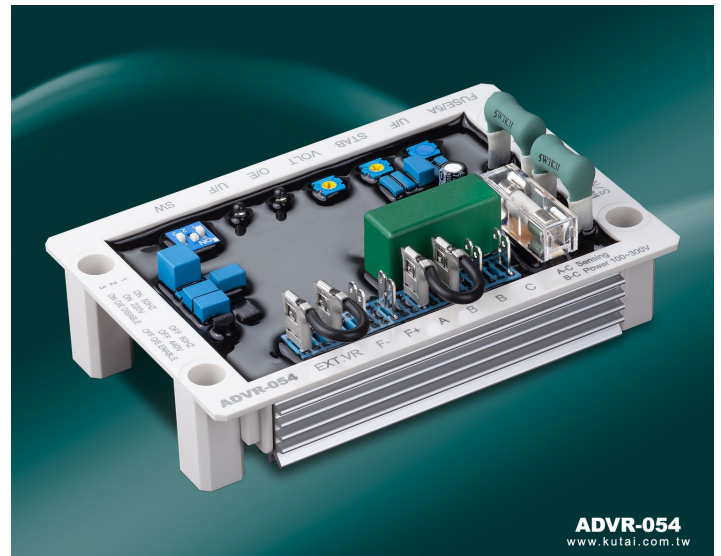


# ADVR-054

## Self Excited Automatic Voltage Regulator 5Amp

### Features

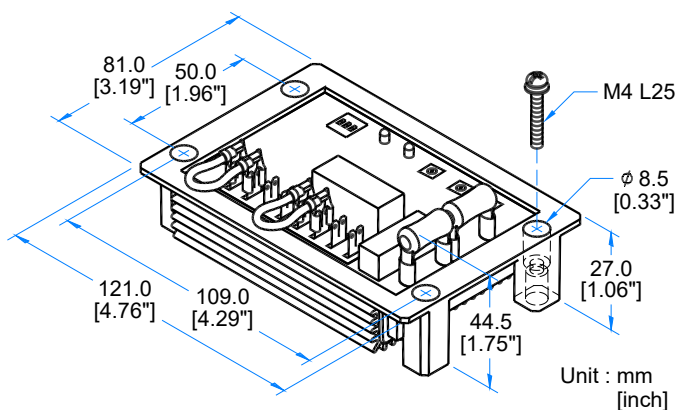
- Compact size, robust and high reliability
- Innovative heat sink significantly increases cooling efficiency
- 220/380/440/480 Vac selectable input
- Soft start voltage ramping
- Over excitation protection
- Digital low frequency protection circuit, prevents thermal drift
- EMI suppression
- Automatic shut off output when voltage sensing is lost
- Built-in high capacity fuse
- Use with KUTAI [EP200](#) Paralleling Module for parallel operation



### Specifications

<b>Sensing Input</b>	Voltage 170 to 260 Vac @ 220 Vac 1 phase 2 wire	<b>Soft Start Ramp Time</b>	3 seconds +/-10%
<b>(Average Reading)</b>	340 to 520 Vac @ 440 Vac 1 phase 2 wire	<b>EMI Suppression</b>	Internal electromagnetic interference filtering
	220/440 Vac DIP switch setting	<b>Static Power Dissipation</b>	Max. 8 watts
	Frequency 50/60 Hz DIP switch setting	<b>Under Frequency Protection (Factory Presets)</b>	
<b>Power Input</b>	Voltage 100 to 300 Vac 1 phase 2 wire		50 Hz system presets knee point at 45 Hz
	Frequency 40 to 60 Hz		60 Hz system presets knee point at 55 Hz
<b>Excitation Output</b>	220 Vac 1 phase Continuous 63 Vdc 5A	<b>Over Excitation Voltage Protection</b>	
	Max. 90 Vdc 7A for 10 seconds		78 Vdc +/-6% @ 220 Vac Time delay 5 seconds
	Resistance Min. 15 ohms Max. 100 ohms		Function can be turn off
<b>External Voltage Adjustment</b>	Max. +/- 3.5% @ 1K ohm 1 watt potentiometer	<b>Voltage Thermal Drift</b>	Less than 3% at temperature range -40 to +70 °C
<b>Volts Regulation</b>	Less than +/-0.5% (with 4% engine governing)	<b>Under-Frequency Knee Point Thermal Drift</b>	Less than +/-0.1 Hz at -40 to +70 °C
<b>Build Up Voltage</b>	5Vac 25Hz residual volts at power input terminal		

### Dimensions



### Environment

<b>Operating Temperature</b>	-40 to +60 °C
<b>Storage Temperature</b>	-40 to +85 °C
<b>Relative Humidity</b>	Max. 95%
<b>Vibration</b>	5.0 Gs @ 60 Hz

### Physical Specifications

<b>Dimensions</b>	121.0 (L) x 81.0 (W) x 44.5 (H) mm 4.76 (L) x 3.19 (W) x 1.75 (H) inch
<b>Weight</b>	270 g +/-2% 0.6 lb +/-2%

### Accessories

<a href="#">EB500</a>	Automatic Flashing Unit for Generator
<a href="#">EP200</a>	Reactive Factor Compose Module (Droop Module)

