

Cliente .....  
ordine .....  
designatore

disegnatore .....  
Dott. Ivo Mochi

data 07.05.2013

modello GP198 A/V-T  
particolare 400 lt. fuel tank + bounded tank

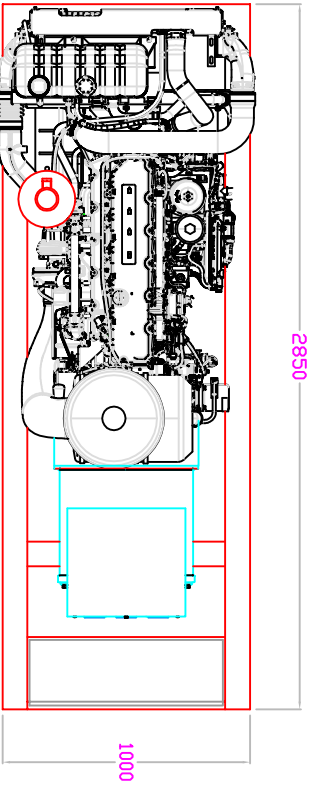
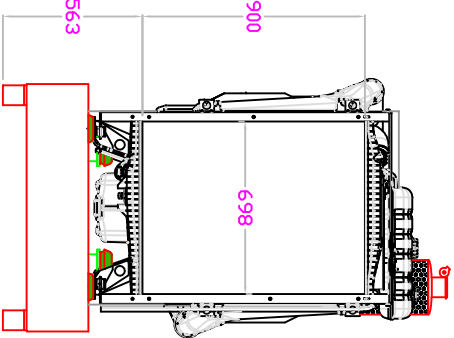
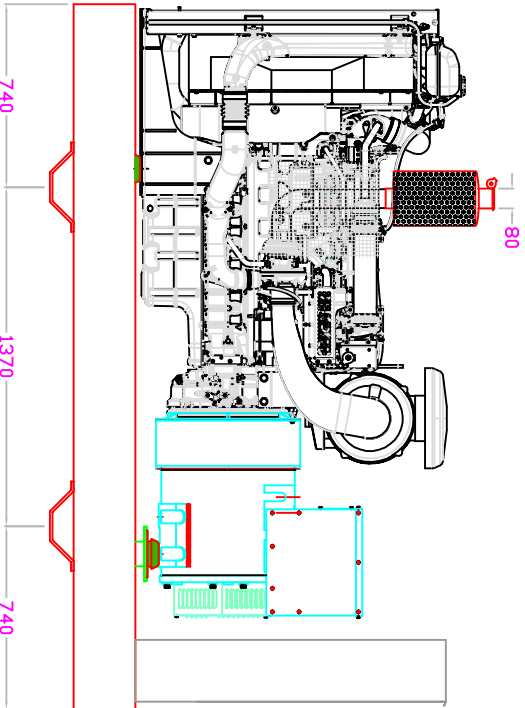
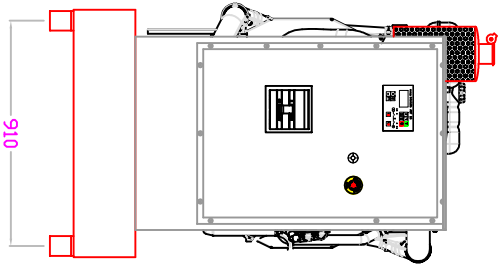
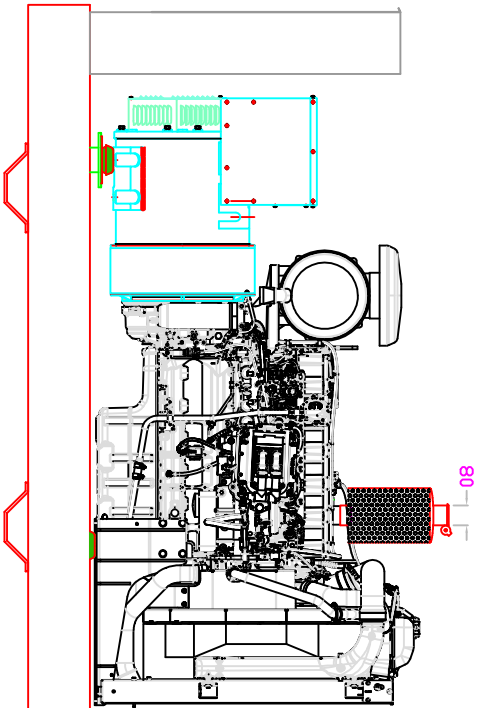
quantità 1

scala/aspect F.S.

codice EAT85A0001

rev. 00  
data 01.01.2008  
foglio 01 di 01

1-4	5-8	9-16	17-32	33-64	65-128	129-256	257-512
1/4A3	1/4A4	1/4A5	1/4A6	1/4A7	1/4A8	1/4A9	1/4A10



**PRELIMINARY**  
THIS DRAWING HAS INFORMATIVE  
VALUE ONLY. GREEN POWER RESERVES  
THE RIGHT TO MAKE DIMENSIONAL AND  
TRADE CHANGES IN PHASE OF ORDER