


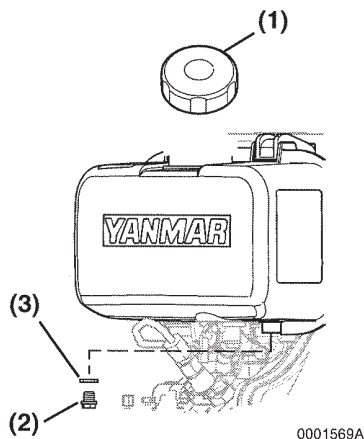
**CAUTION**



- **ALWAYS** be environmentally responsible.
- Follow the guidelines of the EPA or other governmental agencies for the proper disposal of hazardous materials such as engine oil, diesel fuel and engine coolant. Consult the local authorities or reclamation facility.
- **NEVER** dispose of hazardous materials irresponsibly by dumping them into a sewer, on the ground, or into ground water or waterways.
- Failure to follow these procedures may seriously harm the environment.

0000013en

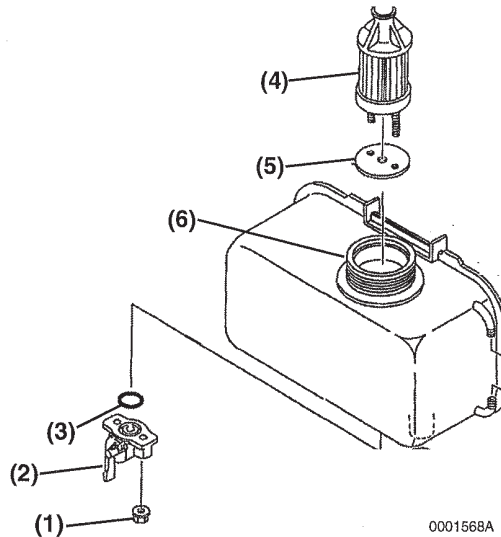
1. Remove the fuel cap (**Figure 5-11, (1)**).
2. Position an approved container under the fuel tank to collect the fuel and remove the fuel tank drain plug (**Figure 5-11, (2)**) and gasket (**Figure 5-11, (3)**) to drain the fuel.



**Figure 5-11**

3. Loosen the nuts (**Figure 5-12, (1)**) on both sides of fuel shut off valve (**Figure 5-12, (2)**).

4. Remove and discard the O-ring (**Figure 5-12, (3)**).
5. Pull the outlet fuel filter (**Figure 5-12, (4)**) and gasket (**Figure 5-12, (5)**) out of the fuel tank filler port (**Figure 5-12, (6)**).



**Figure 5-12**

6. Install a new outlet fuel filter (**Figure 5-12, (4)**) and gasket (**Figure 5-12, (5)**) through the fuel tank filler port (**Figure 5-12, (6)**) and seat in the fuel tank.

<b>Outlet Fuel Filter Part No.</b>	
L48V, L70V and L100V	114250-55121

<b>O-Ring Part No.</b>	
L48V, L70V and L100V	24341-000150

7. Install a new O-ring (**Figure 5-12, (3)**) on the fuel shut off valve (**Figure 5-12, (2)**) and fasten the assembly to the fuel tank with the fuel shut off valve nuts (**Figure 5-12, (1)**).
8. Tighten the fuel tank drain plug (**Figure 5-11, (2)**) with new gasket (**Figure 5-11, (3)**).
9. Replace the fuel cap (**Figure 5-11, (1)**) and hand-tighten. Over-tightening the fuel cap will damage it. Refill fuel tank. *See Filling the Fuel Tank on page 4-12.*