

EA06

Self Excited Half Wave Rectified Type Automatic Voltage Regulator

Suitable for Single or Three Phase Self Excited Brushless Generator

Maximum Output 6A

Compatible with Mecc Alte* Spa AVR model UVR6

Features

- Voltage regulation < +/- 1%
- Sensing input 110 to 480 Vac*
- Rated frequency 50 / 60 Hz
- Power input 50 to 280 Vac
- Low frequency & over excitation protection
- EMI suppression

*Sensing input 220 to 480 Vac model available (EA06-220V).



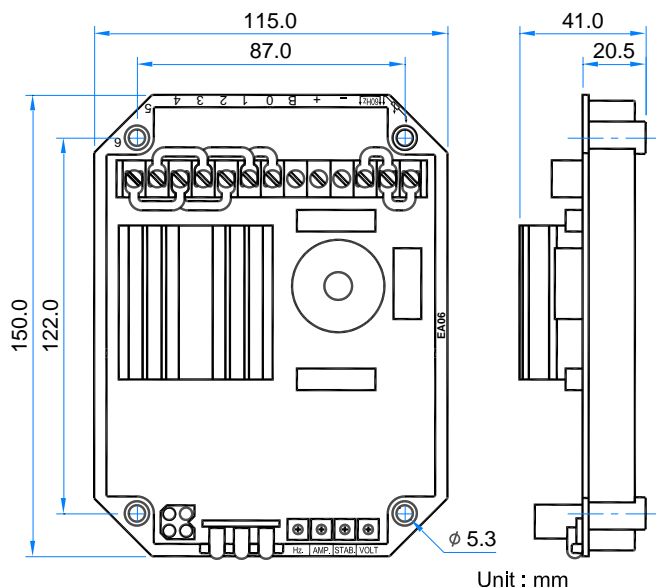
EA06
www.kutai.com.tw

*All manufacturer names, numbers, symbols and descriptions are used for reference purpose only and do not imply that any part is the product of these manufacturer.

Specifications

Sensing Input	Terminal 1、2 3、4 5、6 Can be connected to Y or Δ 110 to 480 Vac 1 phase or 3 phase 50 / 60 Hz	Unit Power Dissipation	Max. 5 watts
Power Input	50 to 280 Vac (1、2) 50 / 60 Hz	Over Excitation Protection	25-55 Vdc @ 0.1-20 sec.
Output	Voltage 63 Vdc @ 220 Vac input Current Continuous 6A Max. Intermittent 7A for 10 sec.	External Volts Adjustment	100K ohms 1/2 watts +/- 5%
Volts Regulation	< +/- 1% (with 4% engine governing)	Under Frequency Protection	Adjustable range 42-62 Hz
Build Up Voltage	Residual voltage above 5 Vac 25 Hz	Exciter Winding Resistance	DC Resistance 10-100 ohms
EMI Suppression	Internal electromagnetic interference filtering	Environment	Operation Temperature -40 - +65 °C Storage Temperature -40 - +80 °C Relative Humidity Max. 95% Vibration 1.5Gs @ 5-30 Hz 5.0Gs @ 30-500 Hz

Mechanical Specifications



AVR Control Function

VOLT	Voltage adjustment
STAB	Stability adjustment
U/F	Setting under frequency protection knee point
AMP.	Over excitation setting

Physical Specification

Dimensions	150.0 (L) x 115.0 (W) x 41.0 (H) mm
Weight	440 g +/- 2%